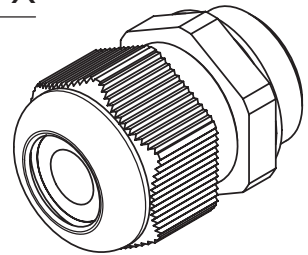
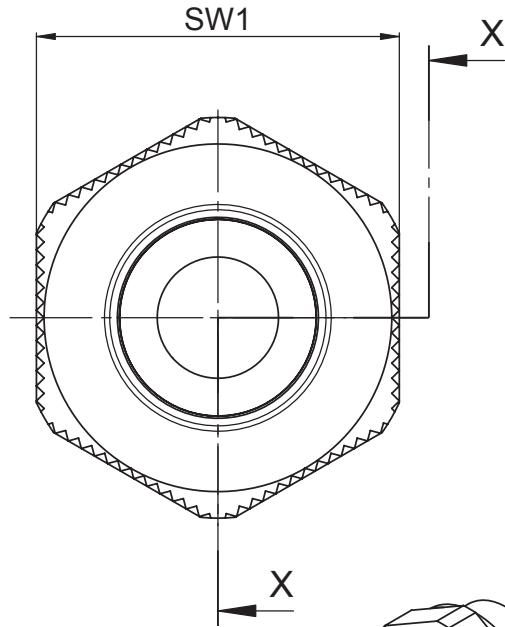
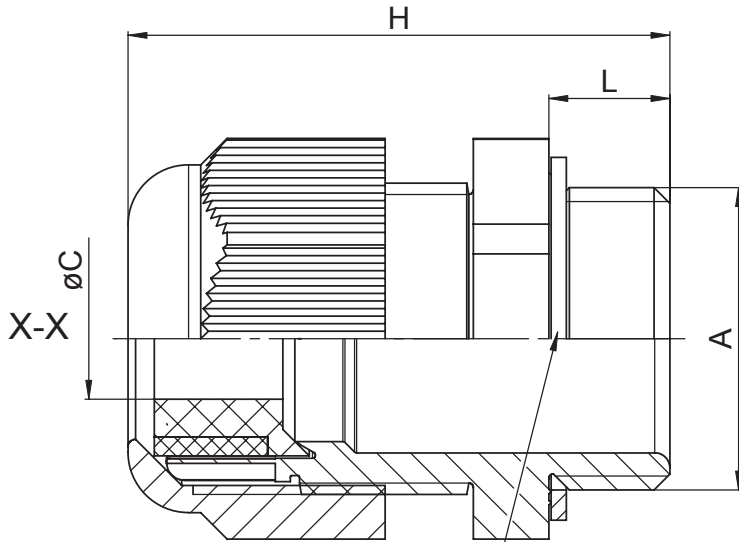


DIM.	TOL.
5mm DOWN	±0.2
5~20mm	±0.3
20~40mm	±0.4
40~60mm	±0.5
60~100mm	±0.8
100mm UP	±1.0



REVISIONS			
REV	DESCRIPTION	DATE	BY



from M32x1,5 with
sealing ring

WORKING TEMPERATURE: -20° C +100° C
 PROTECTION INDEX IP 68
 NUT MATERIAL: PA 6 V2(UL94)
 BODY MATERIAL: PA 6 V2(UL94)
 O-RING MATERIAL: CR/NBR HB(UL94)

P/N RAL 7001	P/N RAL 7035	P/N RAL 9005	A	Installation torque Nm	Hole	Øc (Clamping range)	L	SW1	H
8584AA117001	8592AA117001	8600AA117001	M12X1,5	3,5	12,0 ^{+0,2}	3 - 6 mm	8	15	31
8585AA117001	8593AA117001	8601AA117001	M16X1,5	3,5	16,0 ^{+0,2}	5 - 10 mm	8	20	35,5
8586AA117001	8594AA117001	8602AA117001	M20X1,5	3,5	20,0 ^{+0,2}	8 - 13 mm	8	24	36
8587AA117001	8595AA117001	8603AA117001	M25X1,5	6,7	25,0 ^{+0,2}	11 - 17 mm	8	29	43
8588AA117001	8596AA117001	8604AA117001	M32X1,5	12,0	32,0 ^{+0,2}	15 - 21 mm	10	36	50
8589AA117001	8597AA117001	8605AA117001	M40X1,5	13,5	40,0 ^{+0,2}	19 - 28 mm	10	46	51
8590AA117001	8598AA117001	8606AA117001	M50X1,5	18,0	50,0 ^{+0,2}	27 - 35 mm	12	55	61,5
8591AA117001	8599AA117001	8607AA117001	M63X1,5	18,0	63,0 ^{+0,2}	32 - 42 mm	12	68	65,5



TITLE METRIC THREAD CABLE GLAND IP68	
MATERIAL SEE ABOVE	DATE 14/03/2024
COLOR SEE ABOVE	DRAWN A.C.
PART NUMBER SEE ABOVE	CHECK
DRAWING NUMBER 24/03/14.858xx.E	APPROVED
SIZE A4	SCALE NTS
UNIT mm.	REV A
UNLESS OTHERWISE SPECIFIED TOLERANCE SEE ABOVE	