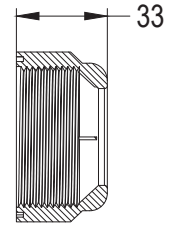
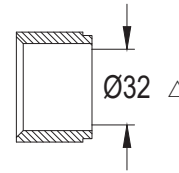
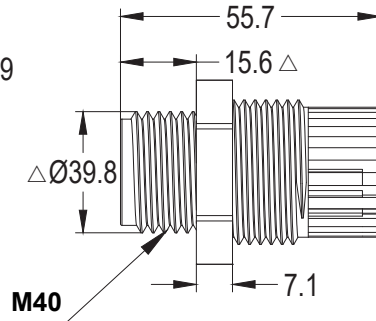
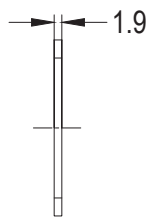
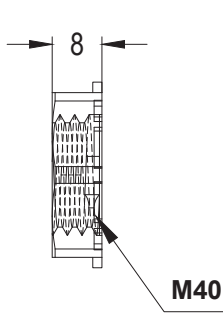
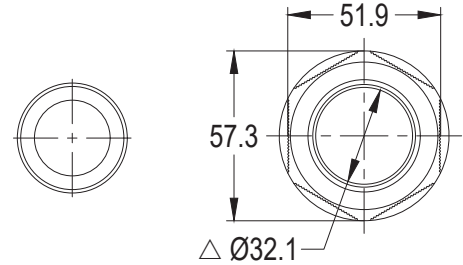
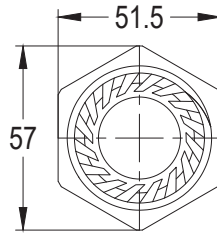
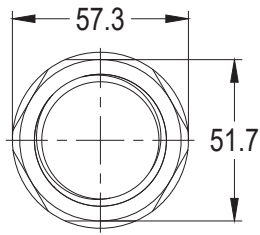


DIM.	TOL.
5mm DOWN	±0.2
5~20mm	±0.3
20~40mm	±0.4
40~60mm	±0.5
60~100mm	±0.8
100mm UP	±1.0

REVISIONS			
REV	DESCRIPTION	DATE	BY



Locknut  
A

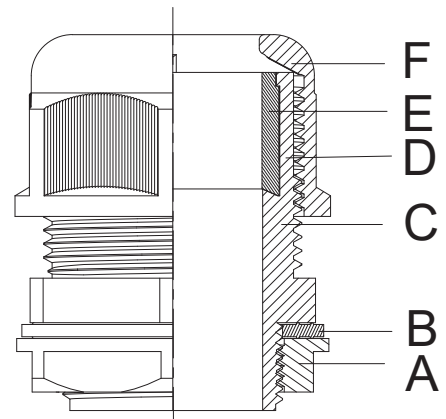
Washer  
B

Body  
C

Claw  
D

Seal  
E

SealingNut  
F



P/N RAL 9005	P/N RAL 7035	P/N RAL 7001
19284AA019005	19284AA117035	19284AA117001

**Flammability:** UL94-V2  
**Temperature:** -40°C ... +105°C  
**IP Rating:** IP 68



		TITLE <b>CABLE GLAND</b>	
		MATERIAL PA 6.6	DATE 15/05/2024
PART NUMBER SEE ABOVE		DRAWN E.B.	
DRAWING NUMBER 24/05/15.19284.E		CHECK	
SIZE A4	SCALE NTS	COLOR SEE ABOVE	APPROVED
UNIT mm.	REV A	UNLESS OTHERWISE SPECIFIED TOLERANCE SEE ABOVE	