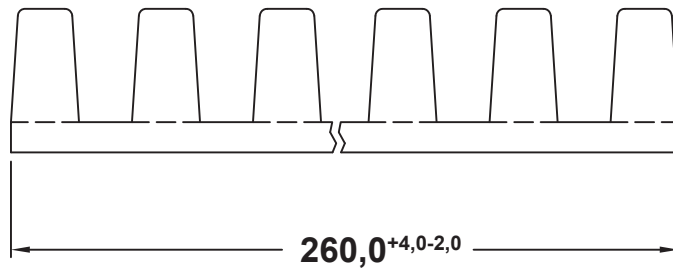
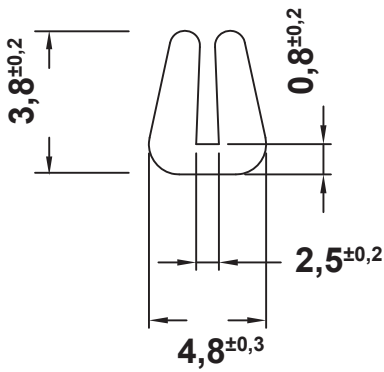



DIM.	TOL.
5mm DOWN	±0.2
5~20mm	±0.3
20~40mm	±0.4
40~60mm	±0.5
60~100mm	±0.8
100mm UP	±1.0

REVISIONS			
REV	DESCRIPTION	DATE	BY



PANEL THICKNESS: 2,0-2,5

		TITLE MOVEABLE BUSHING	
		MATERIAL PA 6.6 V2(UL94)	DATE 15/04/2024
PART NUMBER 19248AA00		DRAWING NUMBER 24/04/15.192X.E	
DRAWN A.C.		CHECK	
SIZE A4	SCALE 4:1	UNIT mm.	REV A
UNLESS OTHERWISE SPECIFIED TOLERANCE SEE ABOVE		APPROVED	