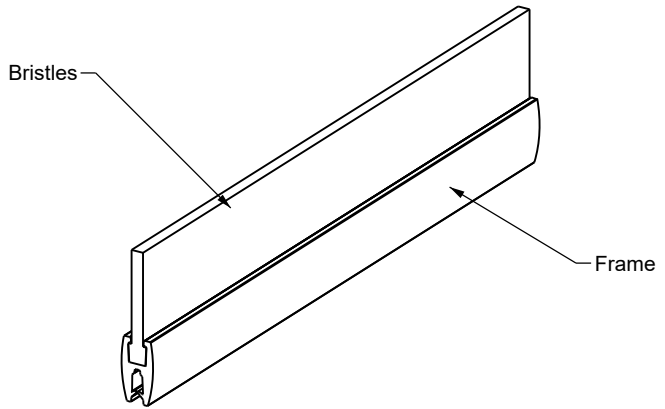
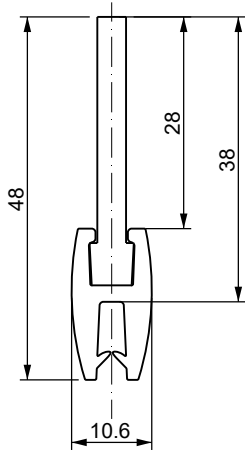
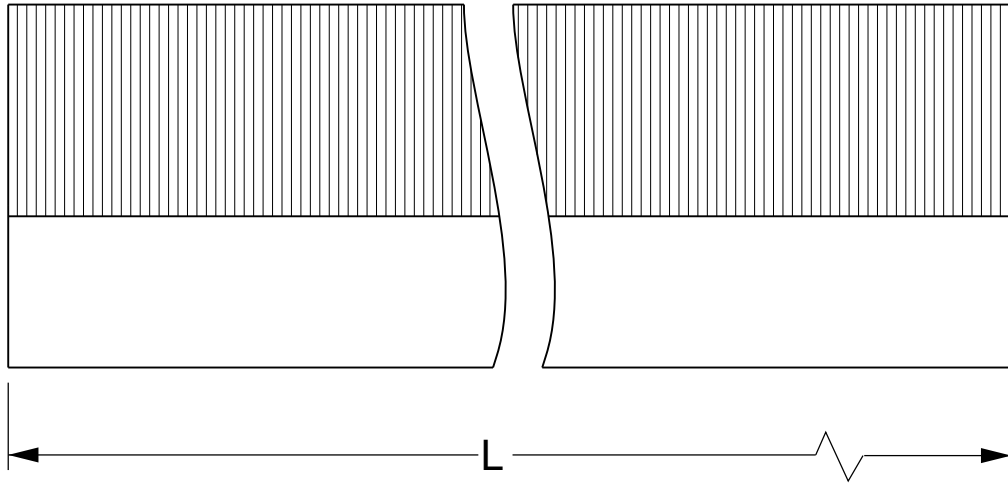


REVISIONS			
REV	DESCRIPTION	DATE	BY




P/N	Description	L [mm]
19193AA01	SQZ 600	600
19194AA01	SQZ 800	800
19195AA01	SQZ 1000	1000
19196AA01	SQZ 1200	1200

**Flammability:** UL94-V0, self-extinguishing  
**Temperature:** -40°C ... +110°C  
**Properties:** halogen-free, silicone-free

Plate thickness: 1 - 2 mm



		TITLE <b>SQZ BRUSHES</b>	
		MATERIAL PA	DATE 28/03/2024
PART NUMBER SEE TABLE		DRAWING NUMBER 24/03/28.1919X.E	
DRAWN E.B.		CHECK	
SIZE A4	SCALE 1:2	UNIT mm.	REV A
UNLESS OTHERWISE SPECIFIED TOLERANCE SEE ABOVE		APPROVED	