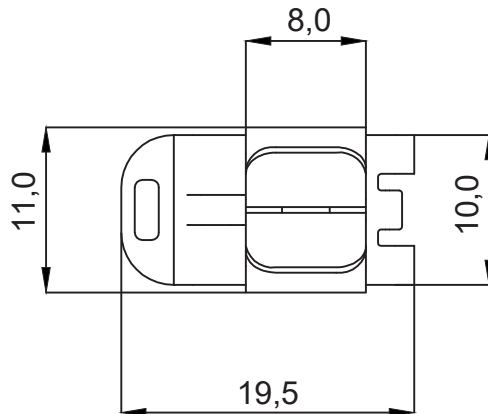
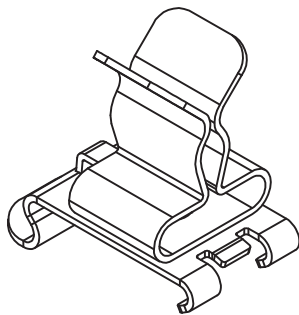
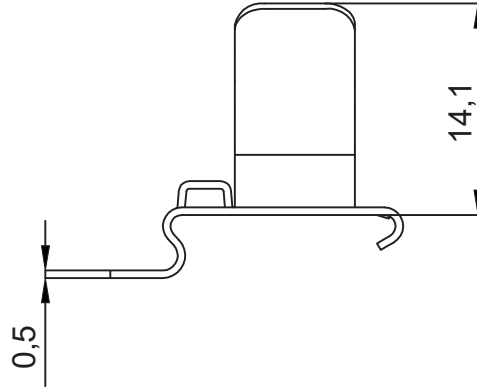
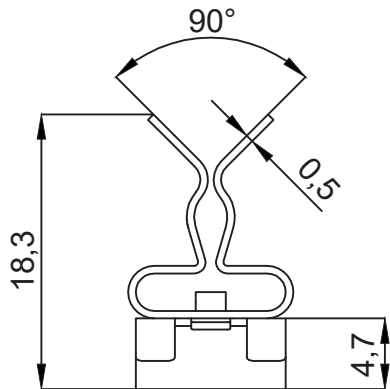




REVISIONS			
REV	DESCRIPTION	DATE	BY




 Size of the cable ties: width max 2,5 mm
 thickness max 1 mm

		TITLE SHIELD CLAMP	
		MATERIAL STEEL ZINC PLATED	DATE 28/03/2024
PART NUMBER 19190MC94		DRAWN E.B.	
DRAWING NUMBER 24/03/28.19190.E		COLOR GREY	CHECK
SIZE A4	SCALE 1:2	UNIT mm.	REV A
UNLESS OTHERWISE SPECIFIED TOLERANCE SEE ABOVE		APPROVED	