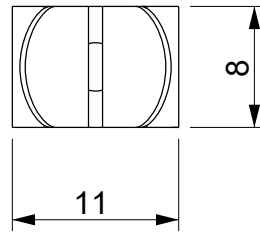
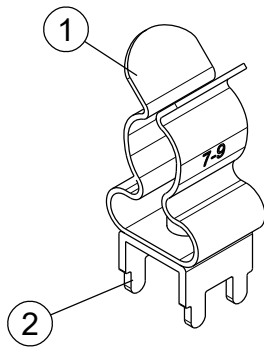
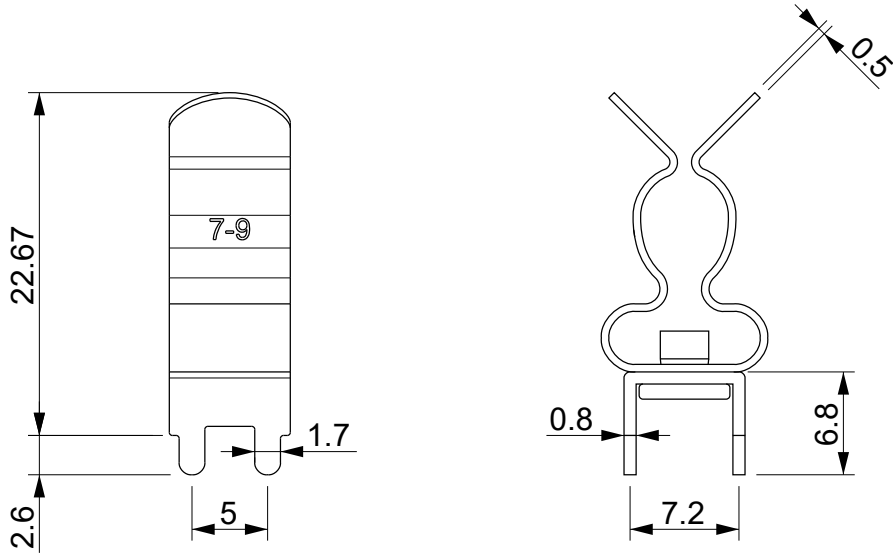
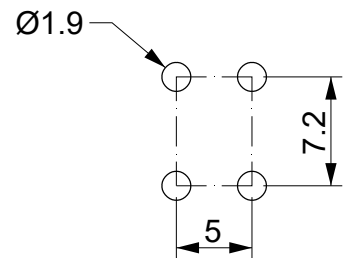


REVISIONS			
REV	DESCRIPTION	DATE	BY




Recommended PCB holes:



Id	Description	Material	Q.ty
1	Shielding clamp	Spring steel zinc plated	1
2	Foot for PCB	Tin plated brass	1

Recommended cable: Ø7...9 mm

		TITLE SHIELD CLAMP	
		MATERIAL SEE TABLE	DATE 28/03/2024
PART NUMBER 19189MC94		DRAWING NUMBER 24/03/28.19189.E	
DRAWN E.B.		COLOR GREY	CHECK
SIZE A4	SCALE 1:2	UNIT mm.	REV A
UNLESS OTHERWISE SPECIFIED TOLERANCE SEE ABOVE		APPROVED	