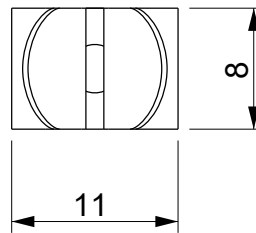
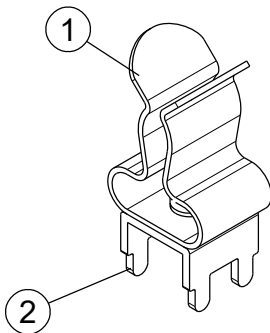
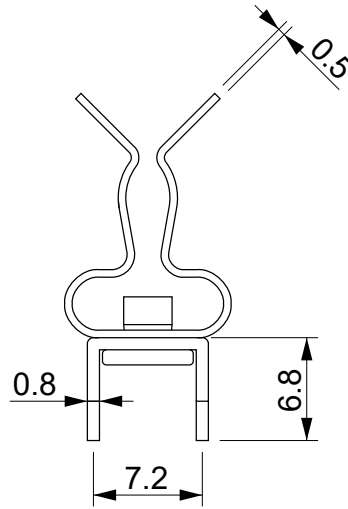
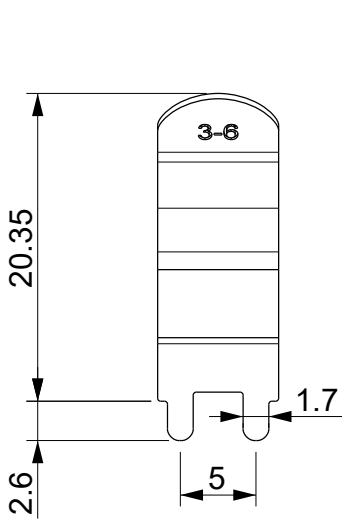
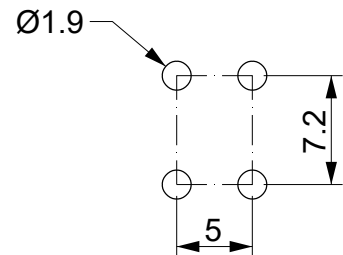


REVISIONS			
REV	DESCRIPTION	DATE	BY



Recommended PCB holes:



Id	Description	Material	Q.ty
1	Shielding clamp	Spring steel zinc plated	1
2	Foot for PCB	Tin plated brass	1

Recommended cable: Ø3...6 mm

		TITLE SHIELD CLAMP	
		MATERIAL SEE TABLE	DATE 28/03/2024
PART NUMBER 19188MC94		DRAWN E.B.	
DRAWING NUMBER 24/03/28.19188.E		CHECK	
SIZE A4	SCALE 1:2	COLOR GREY	APPROVED
UNIT mm.	REV A	UNLESS OTHERWISE SPECIFIED TOLERANCE SEE ABOVE	