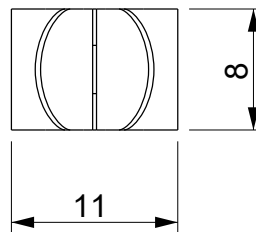
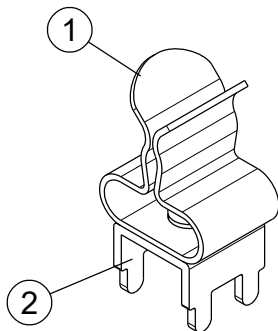
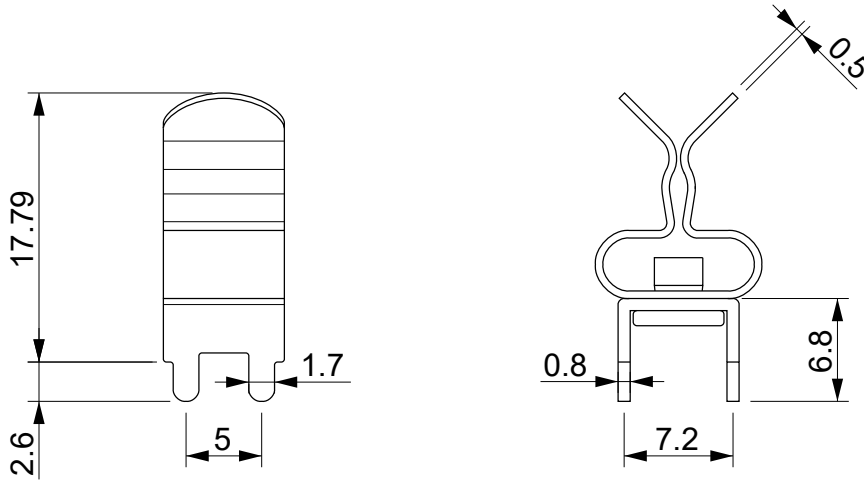
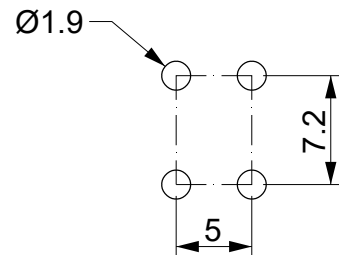


REVISIONS			
REV	DESCRIPTION	DATE	BY




Recommended PCB holes:



Id	Description	Material	Q.ty
1	Shielding clamp	Spring steel zinc plated	1
2	Foot for PCB	Tin plated brass	1

Recommended cable: Ø1,5...3 mm

		TITLE <b>SHIELD CLAMP</b>	
		MATERIAL SEE TABLE	DATE 28/03/2024
PART NUMBER 19187MC94		DRAWN E.B.	
DRAWING NUMBER 24/03/28.19187.E		CHECK	
SIZE A4	SCALE 1:2	COLOR GREY	APPROVED
UNIT mm.	REV A	UNLESS OTHERWISE SPECIFIED TOLERANCE SEE ABOVE	