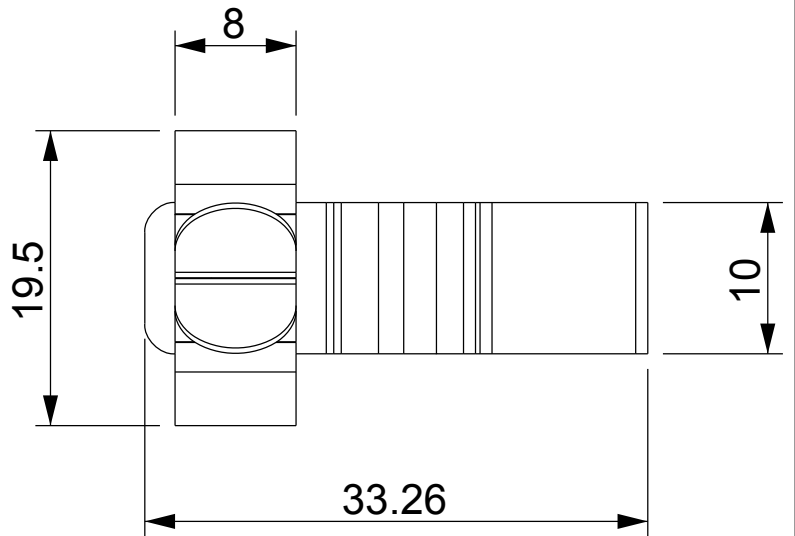
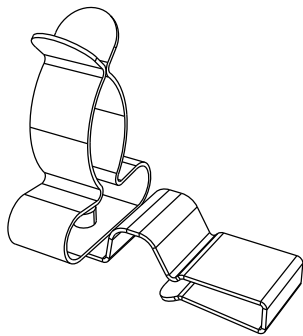
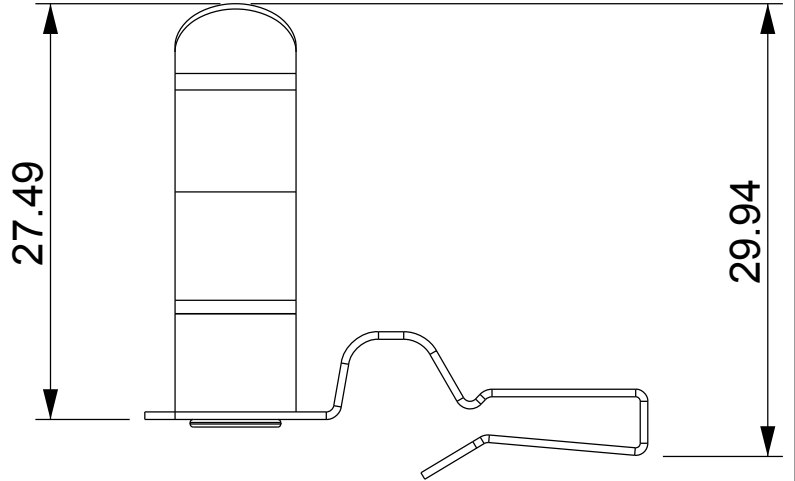
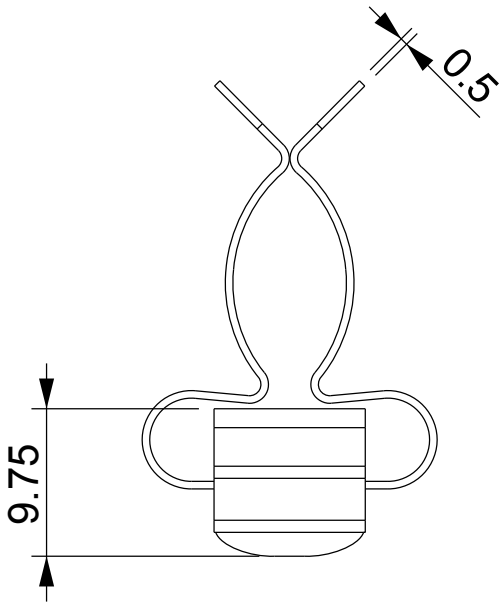



DIM.	TOL.
5mm DOWN	±0.2
5~20mm	±0.3
20~40mm	±0.4
40~60mm	±0.5
60~100mm	±0.8
100mm UP	±1.0

REVISIONS			
REV	DESCRIPTION	DATE	BY



		TITLE SPRING STEEL	
		MATERIAL STEEL ZINC PLATED	DATE 25/03/2024
PART NUMBER 19184MC94		DRAWING NUMBER 24/03/25.19184.E	
SIZE A4		SCALE 2:1	UNIT mm.
REV A		COLOR GREY	CHECK
UNLESS OTHERWISE SPECIFIED TOLERANCE SEE ABOVE		APPROVED	