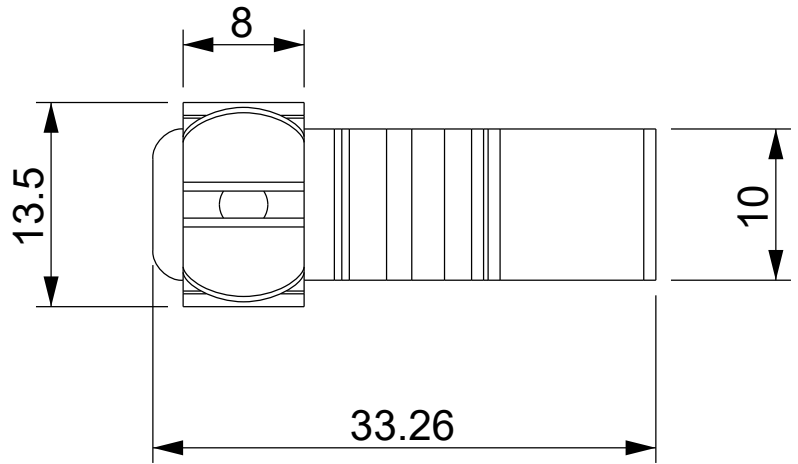
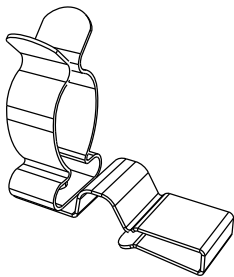
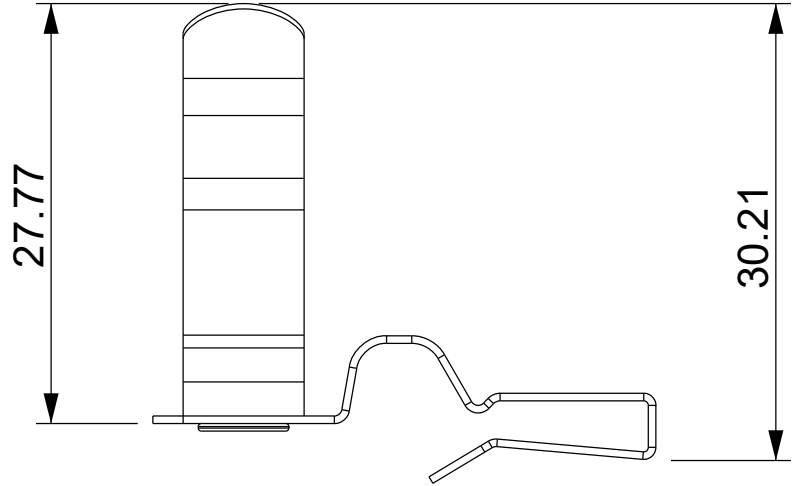
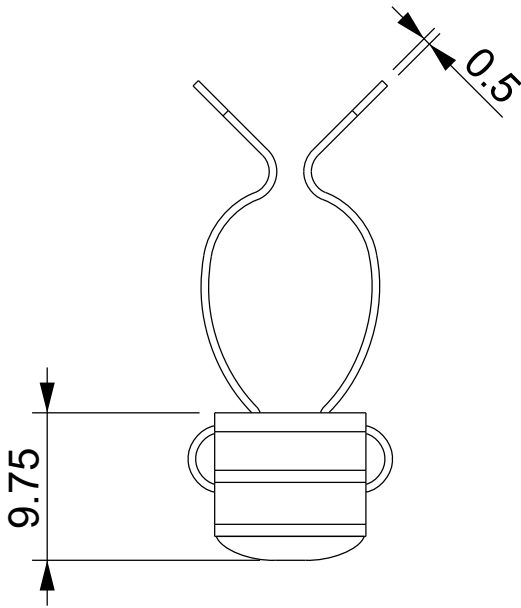



REVISIONS			
REV	DESCRIPTION	DATE	BY



		TITLE SHIELD CLAMP	
		MATERIAL STEEL ZINC PLATED	DATE 28/03/2024
PART NUMBER 19180MC94		DRAWING NUMBER 24/03/28.19180.E	
SIZE A4		COLOR GREY	DRAWN E.B.
SCALE 1:2	UNIT mm.	REV A	CHECK
UNLESS OTHERWISE SPECIFIED TOLERANCE SEE ABOVE		APPROVED	