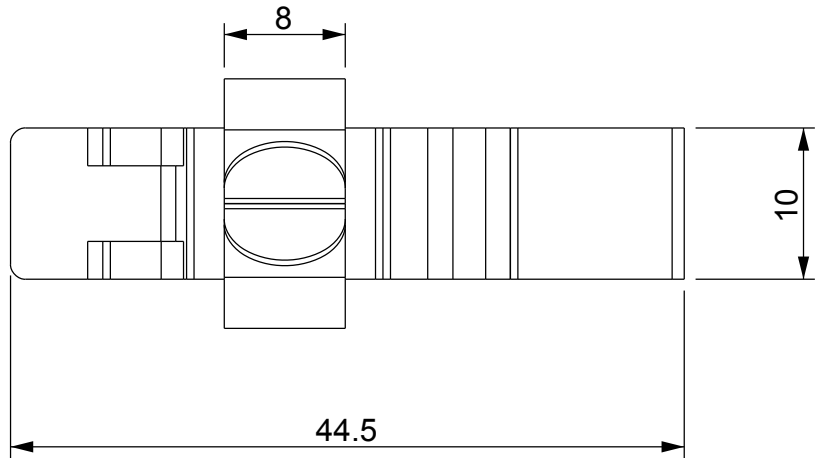
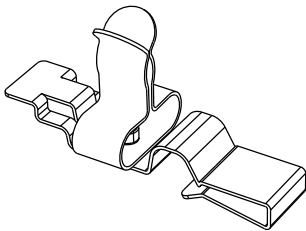
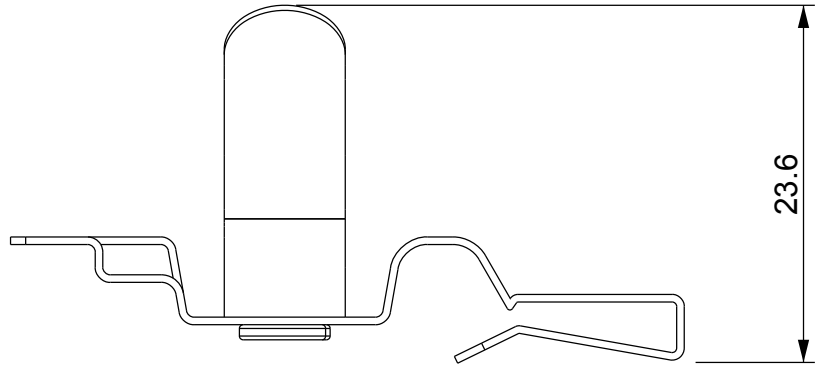
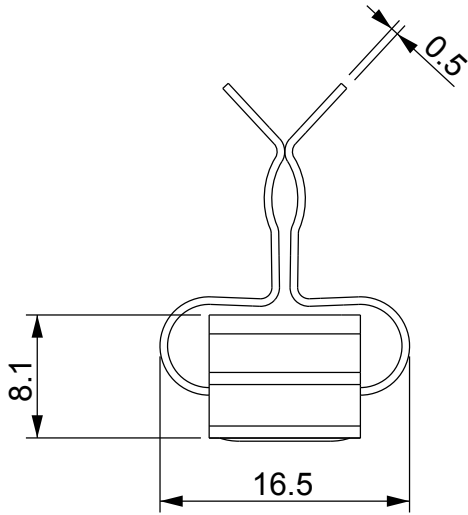


DIM.	TOL.
5mm DOWN	±0.2
5~20mm	±0.3
20~40mm	±0.4
40~60mm	±0.5
60~100mm	±0.8
100mm UP	±1.0

REVISIONS			
REV	DESCRIPTION	DATE	BY



Size of the cable ties: width max 3.5 mm
thickness max 3 mm

Note:
It is not necessary to pull the cable ties all the way
but only until the strain relief effect is guaranteed.

		TITLE SPRING STEEL		
		MATERIAL STEEL ZINC PLATED	DATE 25/03/2024	
PART NUMBER 19174MC94		DRAWING NUMBER 24/03/25.19174.E	COLOR GREY	CHECK
SIZE A4	SCALE 2:1	UNIT mm.	REV A	UNLESS OTHERWISE SPECIFIED TOLERANCE SEE ABOVE
				APPROVED