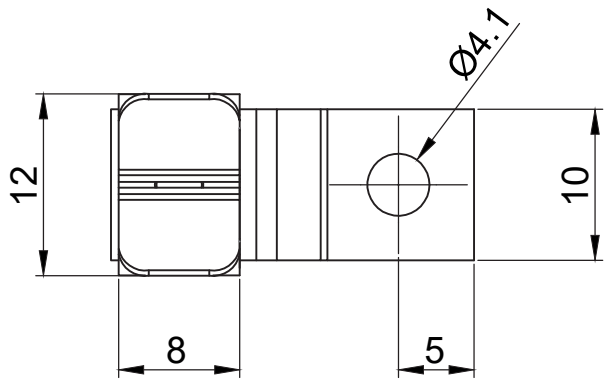
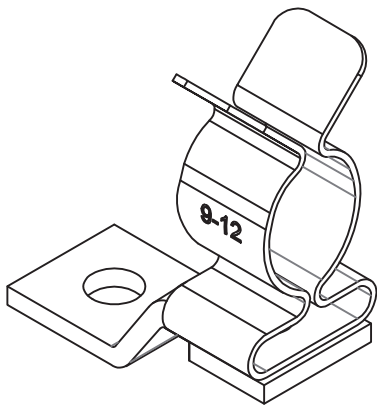
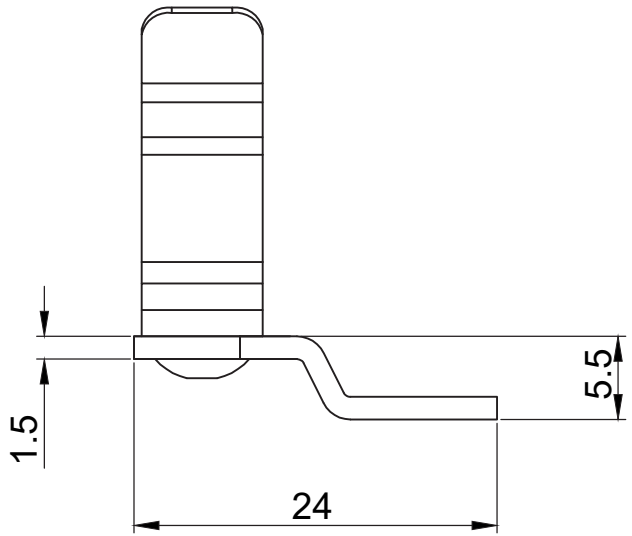
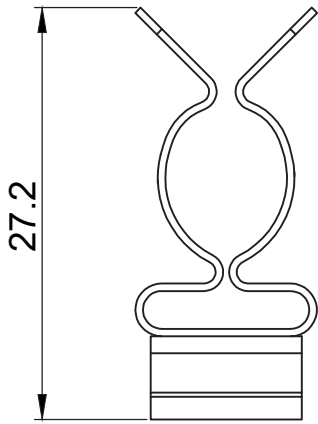



REVISIONS			
REV	DESCRIPTION	DATE	BY



Size of the cable ties: width max 9 mm  
thickness max 12 mm

		TITLE <b>SHIELD CLAMP</b>	
		MATERIAL STEEL ZINC PLATED	DATE 28/03/2024
PART NUMBER 19154MC94		DRAWN E.B.	
DRAWING NUMBER 24/03/28.19154.E		CHECK	
SIZE A4	SCALE 1:2	COLOR GREY	APPROVED
UNIT mm.	REV A	UNLESS OTHERWISE SPECIFIED TOLERANCE SEE ABOVE	