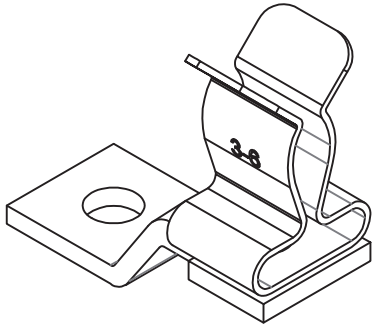
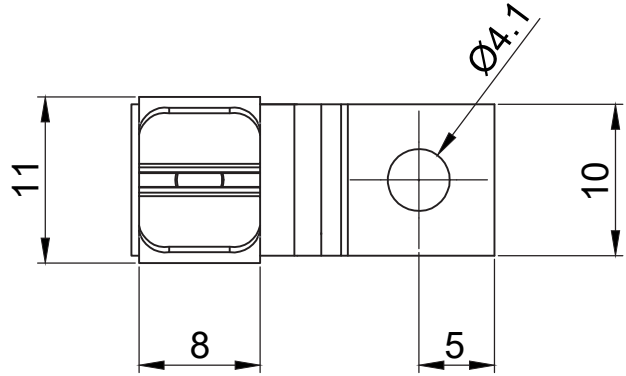
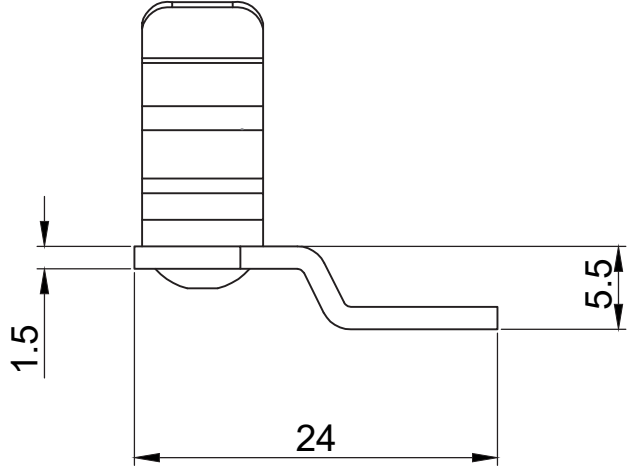
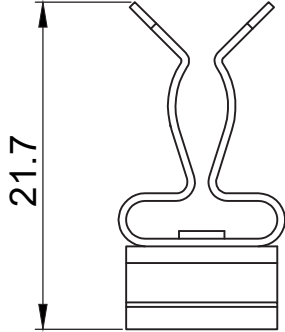



REVISIONS			
REV	DESCRIPTION	DATE	BY



↔↔ Size of the cable ties: width max 3 mm
thickness max 6 mm

		TITLE SHIELD CLAMP	
		MATERIAL STEEL ZINC PLATED	DATE 28/03/2024
PART NUMBER 19152MC94		DRAWING NUMBER 24/03/28.19152.E	
COLOR GREY		CHECK E.B.	
SIZE A4	SCALE 1:2	UNIT mm.	REV A
UNLESS OTHERWISE SPECIFIED TOLERANCE SEE ABOVE		APPROVED	