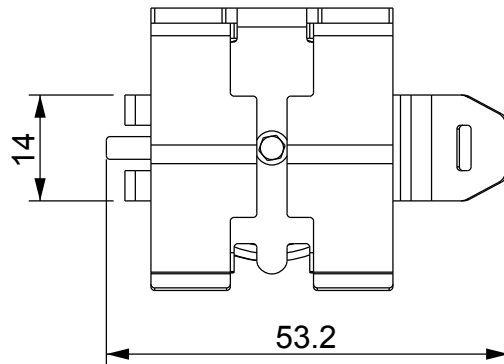
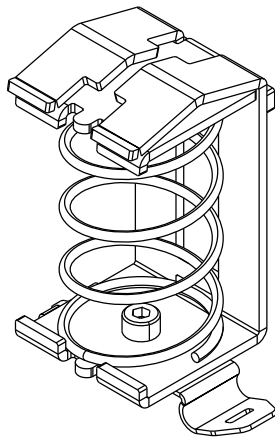
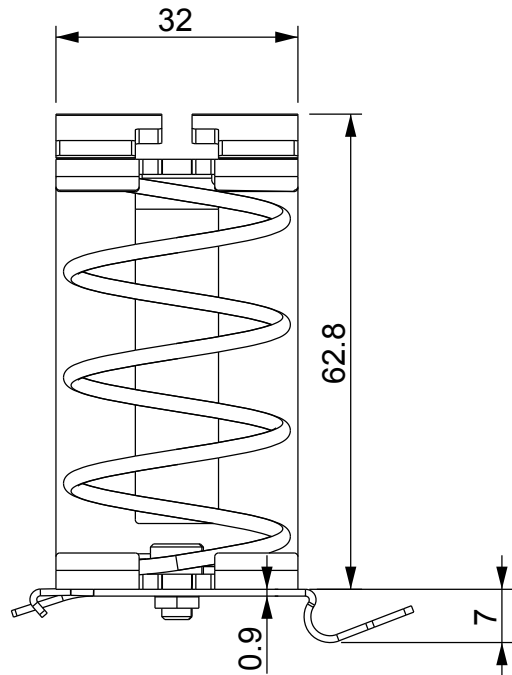
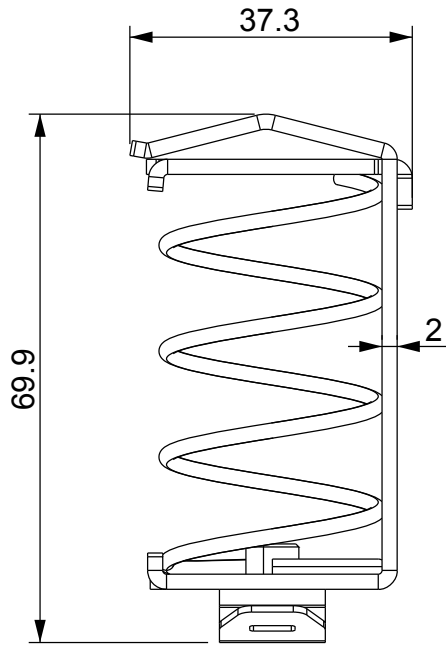



REVISIONS			
REV	DESCRIPTION	DATE	BY



		TITLE SPRING STEEL	
		MATERIAL STEEL ZINC PLATED	DATE 19/03/2024
PART NUMBER 19149MC94		DRAWING NUMBER 24/03/19.19149.E	COLOR GREY
SIZE A4	SCALE 1:1	UNIT mm.	REV A
UNLESS OTHERWISE SPECIFIED TOLERANCE SEE ABOVE			CHECK A.C.
APPROVED			