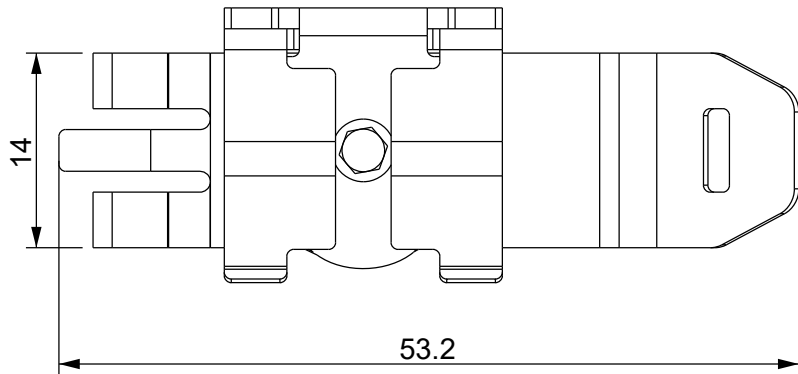
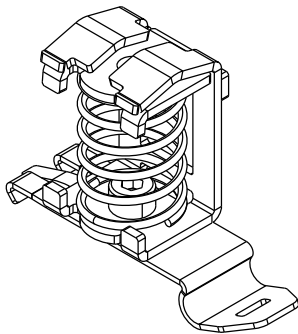
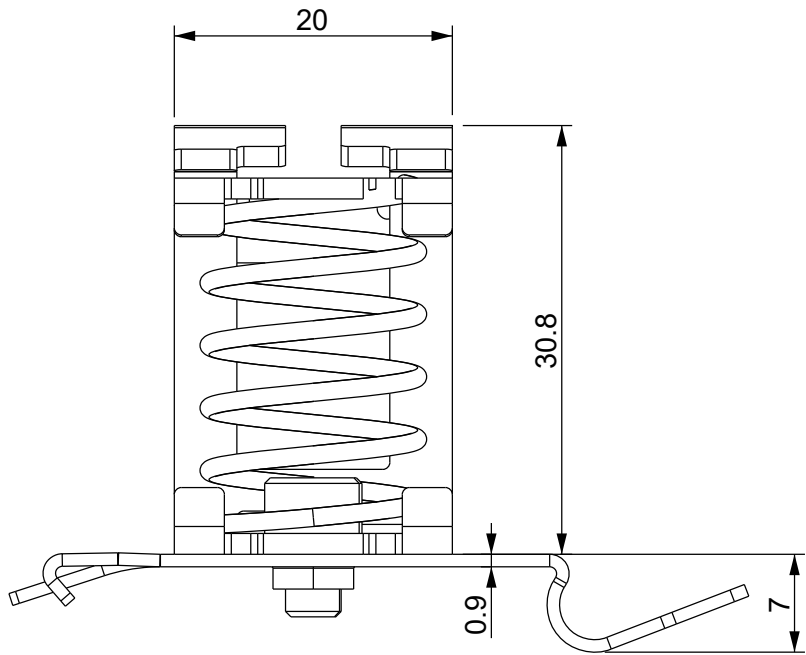
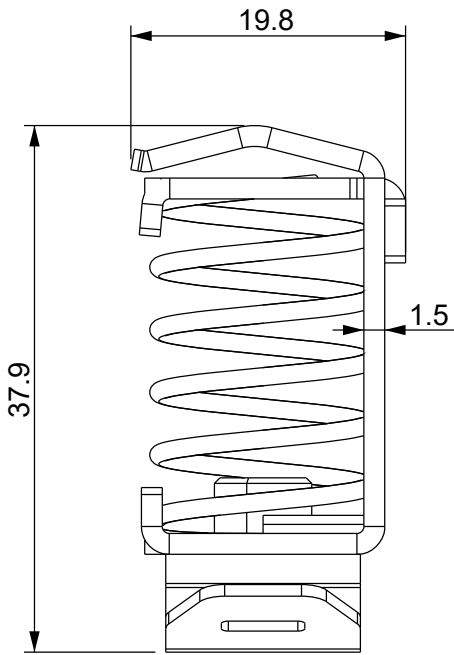



REVISIONS			
REV	DESCRIPTION	DATE	BY



		TITLE SPRING STEEL	
		MATERIAL STEEL ZINC PLATED	DATE 28/03/2024
PART NUMBER 19145MC94		DRAWN E.B.	
DRAWING NUMBER 24/03/28.19145.E		CHECK	
SIZE A4	SCALE 1:1	COLOR GREY	APPROVED
UNIT mm.	REV A	UNLESS OTHERWISE SPECIFIED TOLERANCE SEE ABOVE	