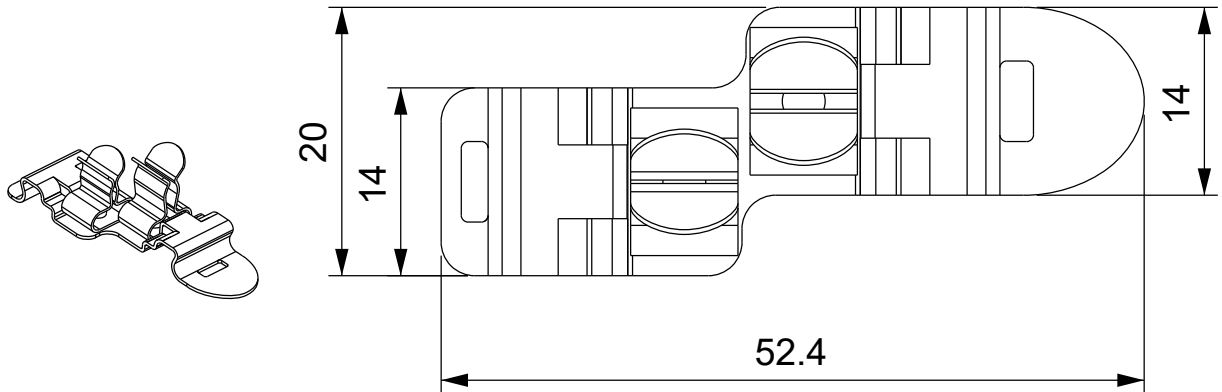
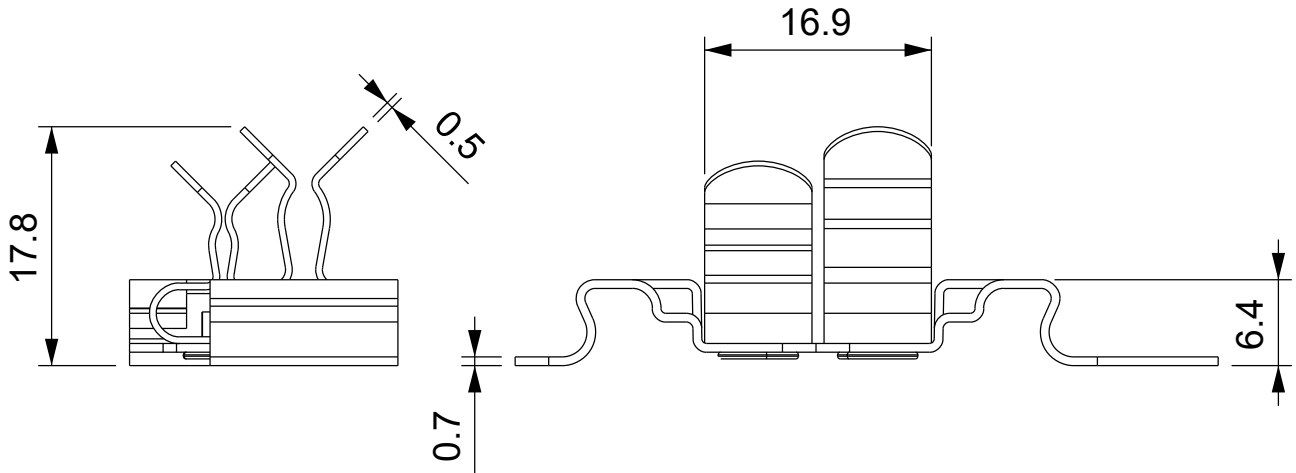



REVISIONS			
REV	DESCRIPTION	DATE	BY



Size of the cable ties: width max 2.2 mm
thickness max 1.8 mm

		TITLE SHIELD CLAMP	
		MATERIAL SPRING STEEL ZINC PLATED	DATE 28/03/2024
PART NUMBER 19142MC94		DRAWN E.B.	
DRAWING NUMBER 24/03/28.19142.E		COLOR GREY	CHECK
SIZE A4	SCALE 1:2	UNIT mm.	REV A
UNLESS OTHERWISE SPECIFIED TOLERANCE SEE ABOVE		APPROVED	