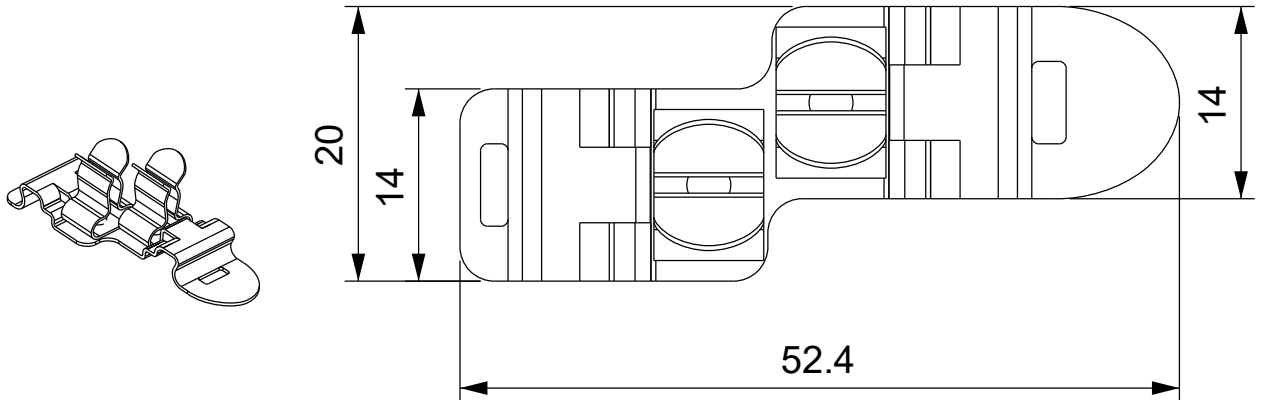
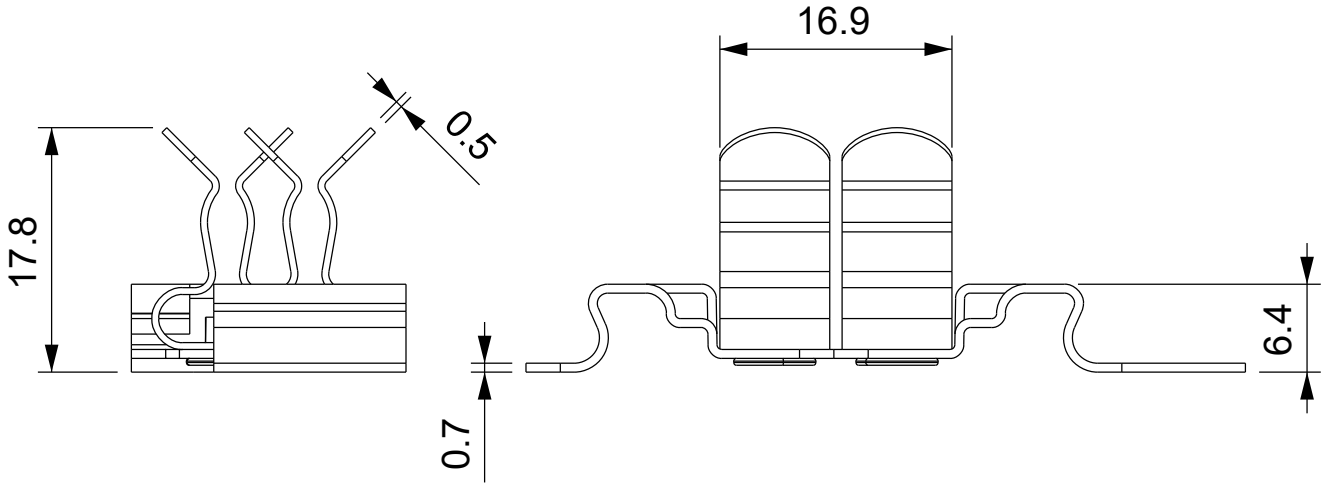
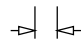



REVISIONS			
REV	DESCRIPTION	DATE	BY




 Size of the cable ties: width max 2.2 mm
 thickness max 1.8 mm

		TITLE SHIELD CLAMP	
		MATERIAL SPRING STEEL ZINC PLATED	DATE 28/03/2024
PART NUMBER 19141MC94		DRAWN E.B.	
DRAWING NUMBER 24/03/28.19141.E		CHECK	
SIZE A4	SCALE 1:2	COLOR GREY	APPROVED
UNIT mm.	REV A	UNLESS OTHERWISE SPECIFIED TOLERANCE SEE ABOVE	