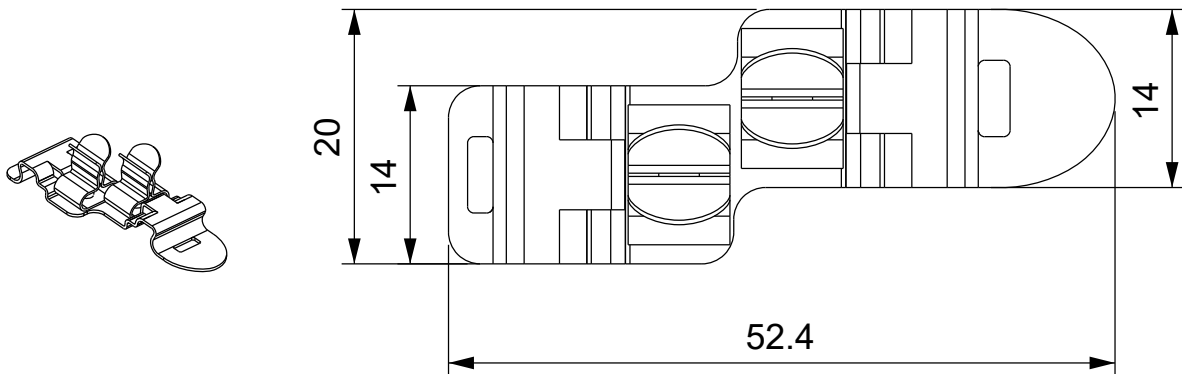
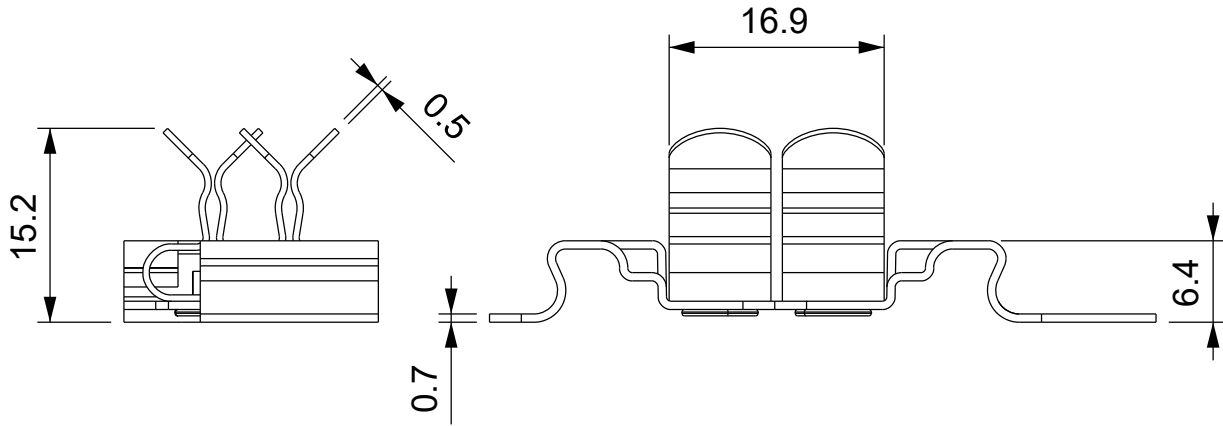
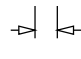



REVISIONS			
REV	DESCRIPTION	DATE	BY




 Size of the cable ties: width max 2.2 mm  
 thickness max 1.8 mm

		TITLE <b>SHIELD CLAMP</b>	
		MATERIAL SPRING STEEL ZINC PLATED	DATE 28/03/2024
PART NUMBER 19140MC94		DRAWING NUMBER 24/03/28.19140.E	
SIZE A4		COLOR GREY	DRAWN E.B.
SCALE 1:2	UNIT mm.	REV A	CHECK
UNLESS OTHERWISE SPECIFIED TOLERANCE SEE ABOVE		APPROVED	