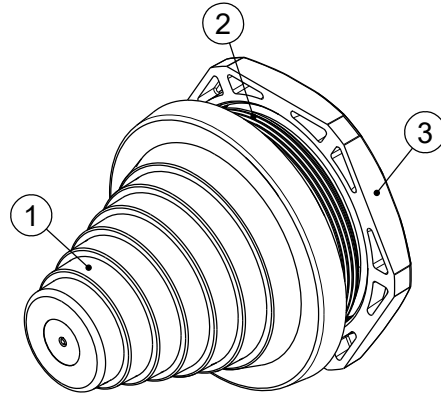
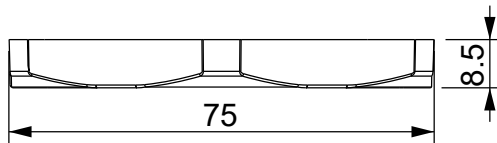
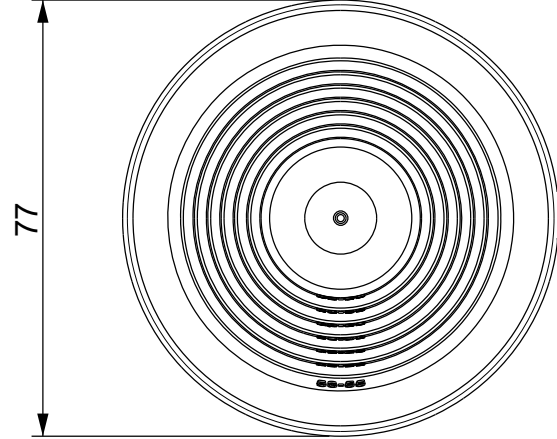
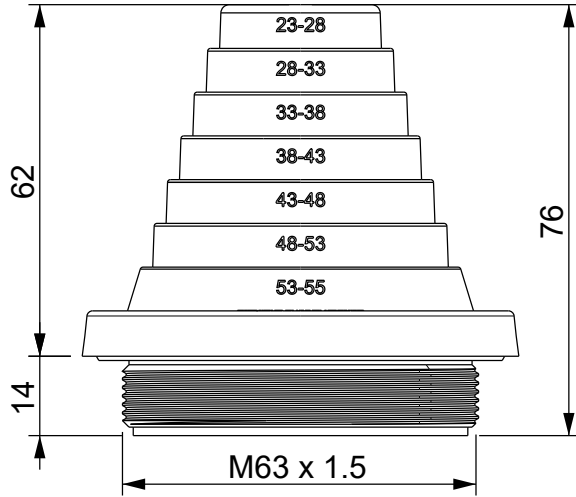


REVISIONS			
REV	DESCRIPTION	DATE	BY



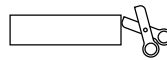
P/N GREY	P/N BLACK
19128PS11	19133PS01

Id	Description	Material	Q.ty
1	Body	TPE	1
2	Thread	PA	1
3	Locknut	PA	1

Cable
min Ø 23 mm
max: Ø 55 mm

Flammability: UL94-V0, self-extinguishing
Temperature: -40°C ... +155°C
Properties: halogen-free, silicone-free

Recommended cut-out:
Ø 63.5 mm



APPROVED R MACHINE TYPE	UL TYPE 12	NEMA 12	Ex
ECOLAB	UL94-V0	IP66	HL3 EN 45545-2
		UV ISO 4892-2A	RoHS COMPLIANT

		TITLE GROMMETS		
		MATERIAL SEE ABOVE	DATE 28/03/2024	
PART NUMBER SEE TABLE		DRAWING NUMBER 24/03/28.191XX.E	COLOR SEE TABLE	CHECK
SIZE A4	SCALE 1:2	UNIT mm.	REV A	UNLESS OTHERWISE SPECIFIED TOLERANCE SEE ABOVE
				APPROVED