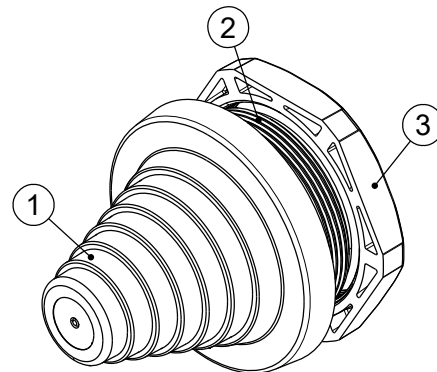
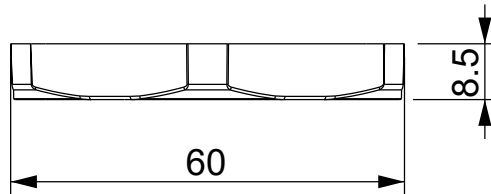
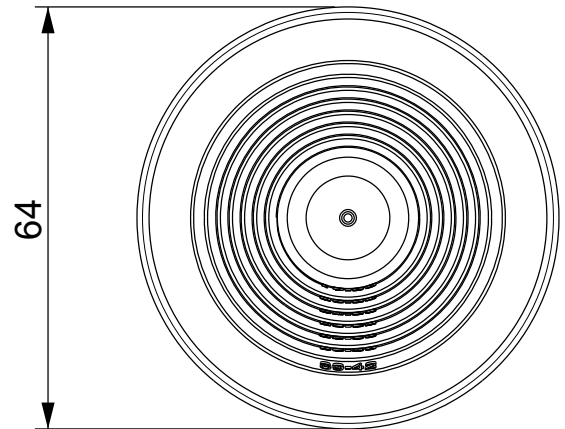
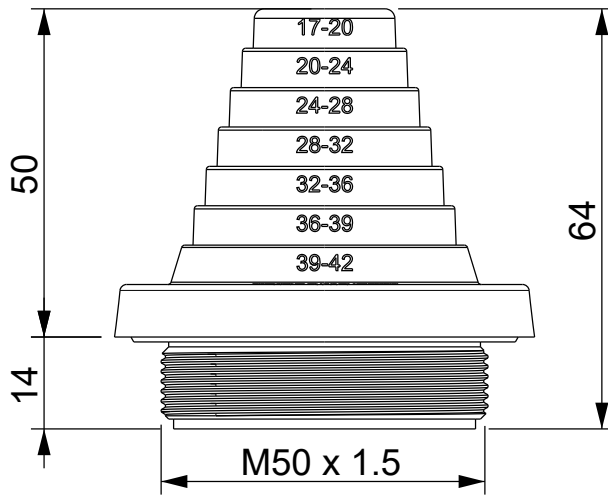


REVISIONS			
REV	DESCRIPTION	DATE	BY



P/N GREY	P/N BLACK
19127PS11	19132PS01

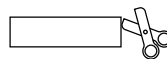
Id	Description	Material	Q.ty
1	Body	TPE	1
2	Thread	PA	1
3	Locknut	PA	1

**Cable**  
min Ø 17 mm  
max: Ø 42 mm

**Flammability:** UL94-V0, self-extinguishing  
**Temperature:** -40°C ... +155°C  
**Properties:** halogen-free, silicone-free

Recommended cut-out:

Ø 50.5 mm



APPROVED MARINE TYPE	UL TYPE <b>12</b>	NEMA <b>12</b>	Ex
ECOLAB	UL94-V0	IP66	HL3 EN 45545-2
		UV ISO 4892-2A	RoHS COMPLIANT



TITLE			
<b>GROMMETS</b>			
MATERIAL		DATE	
SEE ABOVE		28/03/2024	
		DRAWN	
		E.B.	
PART NUMBER		CHECK	
SEE TABLE			
DRAWING NUMBER		COLOR	
24/03/28.191XX.E		SEE TABLE	
SIZE	SCALE	UNIT	REV
A4	1:2	mm.	A
UNLESS OTHERWISE SPECIFIED TOLERANCE			APPROVED
SEE ABOVE			