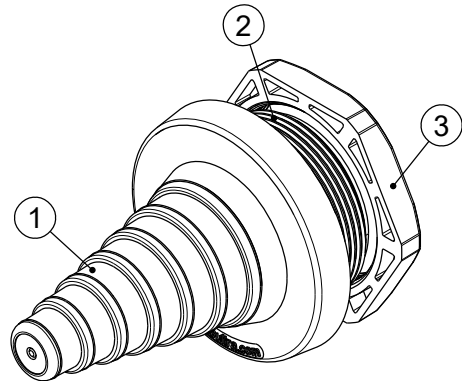
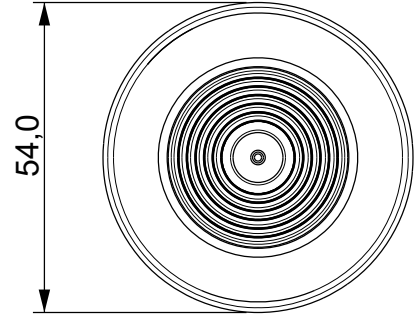
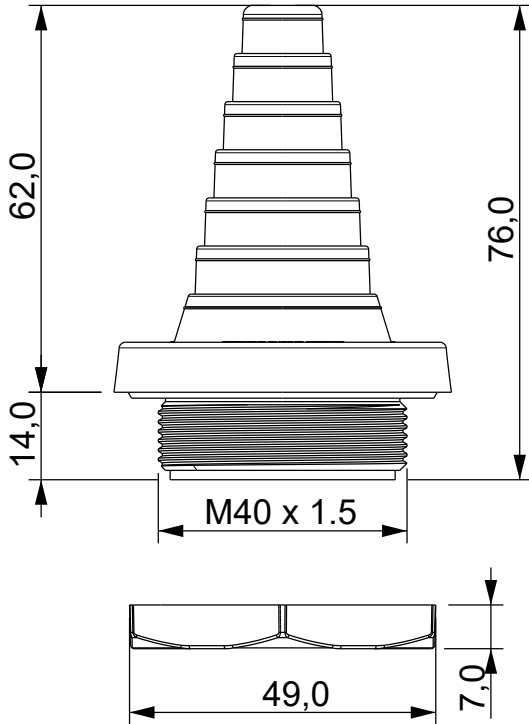


REVISIONS			
REV	DESCRIPTION	DATE	BY

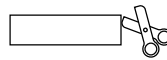


P/N GREY	P/N BLACK
19126PS11	19131PS01

Id	Description	Material	Q.ty	
1	Body	TPE	1	Cable min Ø 8 mm max: Ø 29 mm
2	Frame	PA	1	
3	Locknut	PA	1	

Flammability: UL94-V0, self-extinguishing
Temperature: -40°C ... +155°C
Properties: halogen-free, silicone-free

Recommended cut-out:
 Ø 40.5 mm



APPROVED R MACHINE TYPE	C UL US pending	IP66	HL3 EN 45545-2
ECOLAB	UL94-V0	UV ISO 4892-2A	RoHS COMPLIANT



TITLE GROMMETS			
MATERIAL SEE ABOVE		DATE 28/03/2024	
		DRAWN E.B.	
PART NUMBER SEE TABLE		DRAWING NUMBER 24/03/28.191XX.E	
COLOR SEE TABLE		CHECK	
SIZE A4	SCALE 1:2	UNIT mm.	REV A
UNLESS OTHERWISE SPECIFIED TOLERANCE SEE ABOVE		APPROVED	