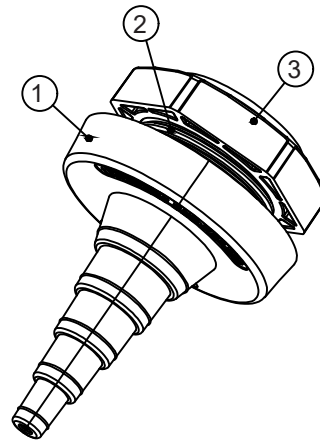
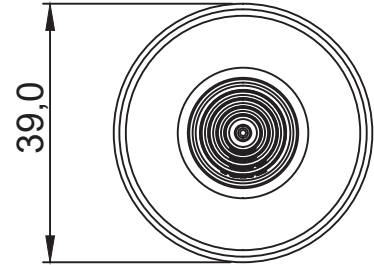
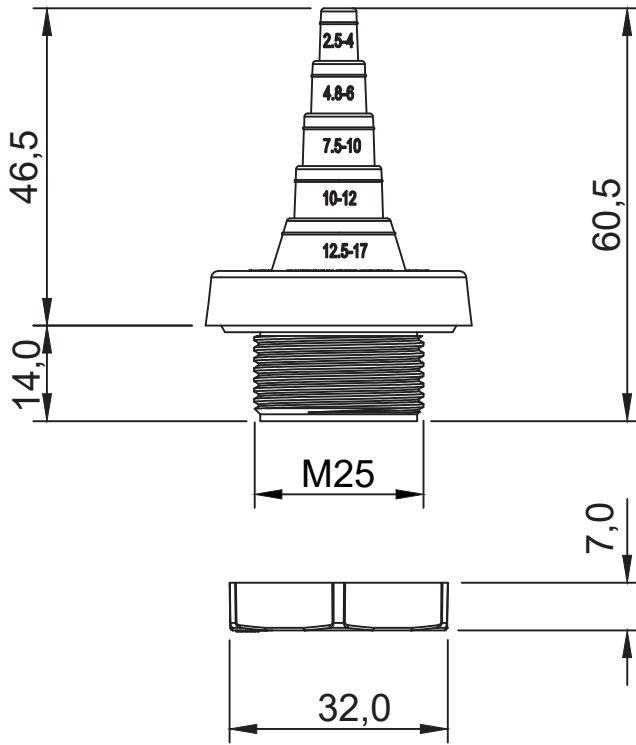


REVISIONS			
REV	DESCRIPTION	DATE	BY

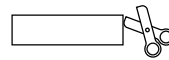


P/N GREY	P/N BLACK
19124PS11	19129PS01

Id	Description	Material	Q.ty	
1	Body	TPE	1	Cable min Ø 2.5 mm max: Ø 17 mm
2	Frame	PA	1	
3	Locknut	PA	1	

Flammability: UL94-V0, self-extinguishing
Temperature: -40°C ... +155°C
Properties: halogen-free, silicone-free

Recommended cut-out:
 Ø 25.5 mm



APPROVED R MACHINE TYPE	C UL US pending	IP66	HL3 EN 45545-2
ECOLAB	UL94-V0	UV ISO 4892-2A	RoHS COMPLIANT



TITLE
GROMMETS

MATERIAL SEE ABOVE	DATE 28/03/2024
	DRAWN E.B.

PART NUMBER SEE TABLE	DRAWING NUMBER 24/03/28.1912X.E	COLOR SEE TABLE	CHECK
SIZE A4	SCALE 1:2	UNIT mm.	REV A
UNLESS OTHERWISE SPECIFIED TOLERANCE SEE ABOVE			APPROVED