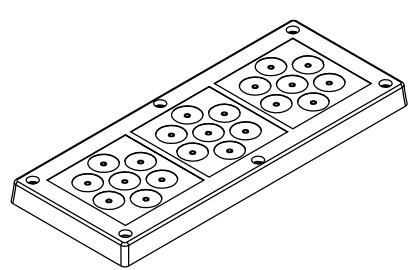
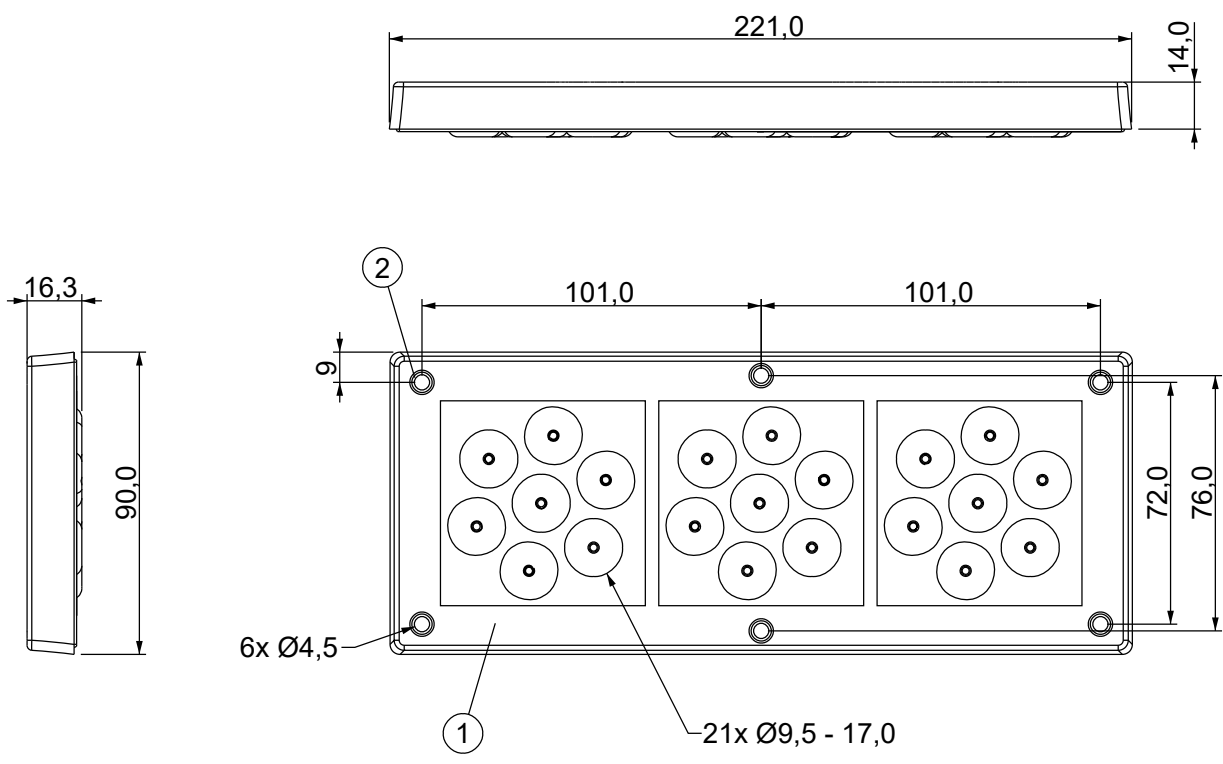


REVISIONS			
REV	DESCRIPTION	DATE	BY



P/N GREY	P/N BLACK
19119PS11	19123PS01

Id	Description	Material	Q.ty
1	Body	TPE	1
2	Frame	PA	1

**Flammability:** UL94-V0, self-extinguishing  
**Temperature:** -40°C ... +110°C  
**Properties:** halogen-free, silicone-free

Recommended cut-out:  
 192 x 62 mm


	TITLE <b>CABLE GLAND PLATES</b>		
	MATERIAL SEE ABOVE	DATE 28/03/2024	
		DRAWN E.B.	
PART NUMBER SEE TABLE	DRAWING NUMBER 24/03/28.191XX.E	COLOR SEE TABLE	CHECK
SIZE A4	SCALE 1:2	UNIT mm.	REV A
UNLESS OTHERWISE SPECIFIED TOLERANCE SEE ABOVE			APPROVED