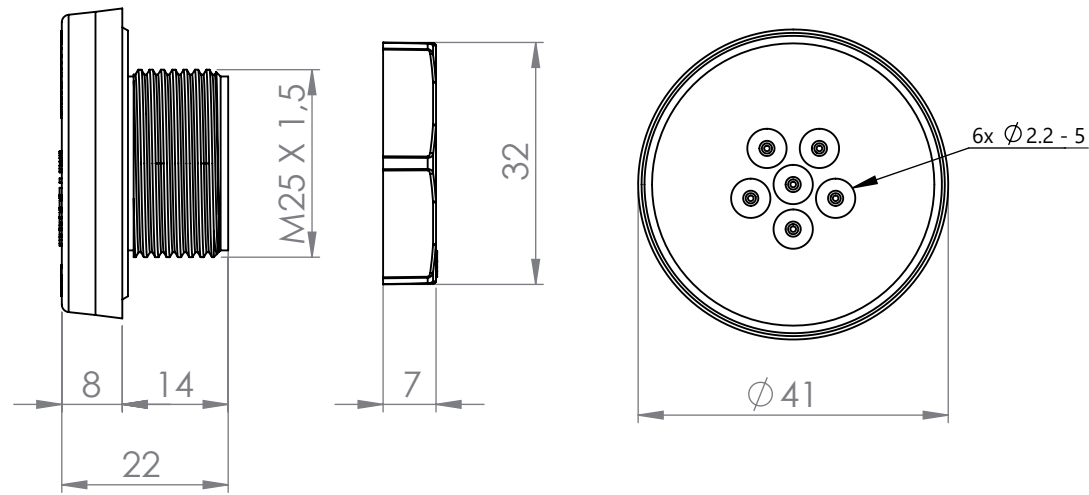
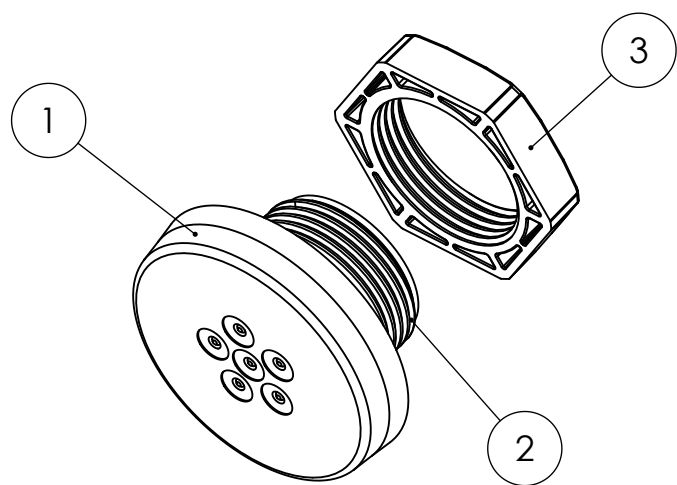


DIM.	TOL.
5mm DOWN	±0.2
5~20mm	±0.3
20~40mm	±0.4
40~60mm	±0.5
60~100mm	±0.8
100mm UP	±1.0

REVISIONS			
REV	DESCRIPTION	DATE	BY



Id	Description	Material	Q.ty	P/N GREY	P/N BLACK
1	Body	TPE	1	19090PS11	19094PS01
2	Frame	PA	1		

<b>Flammability:</b> UL94-V0, self-extinguishing <b>Temperature:</b> -40°C ... +110°C <b>Properties:</b> halogen-free, silicone-free <b>Material:</b> thermoplastic elastomer (TPE)	Recommended cut-out: 192 x 62 mm 					

		TITLE <b>DES PDM</b>			
		MATERIAL SEE ABOVE		DATE 25/03/2024	
PART NUMBER SEE TABLE		DRAWING NUMBER 24/03/25.1909X.E		DRAWN A.C.	
SIZE A4		SCALE 2:1		CHECK	
UNIT mm.		REV A		APPROVED	
COLOR SEE TABLE				UNLESS OTHERWISE SPECIFIED TOLERANCE SEE ABOVE	