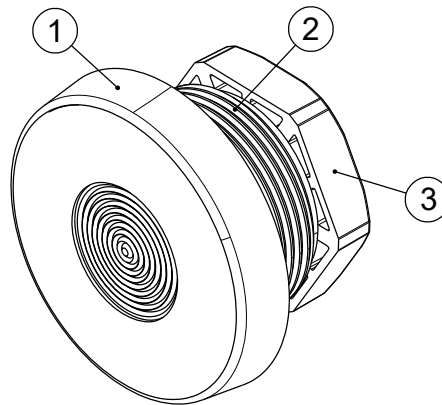
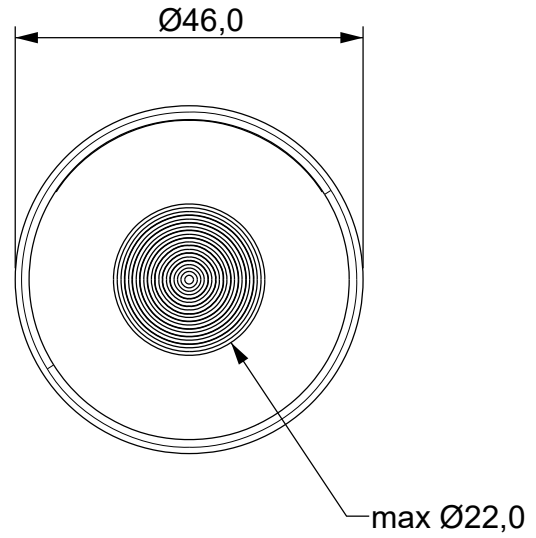
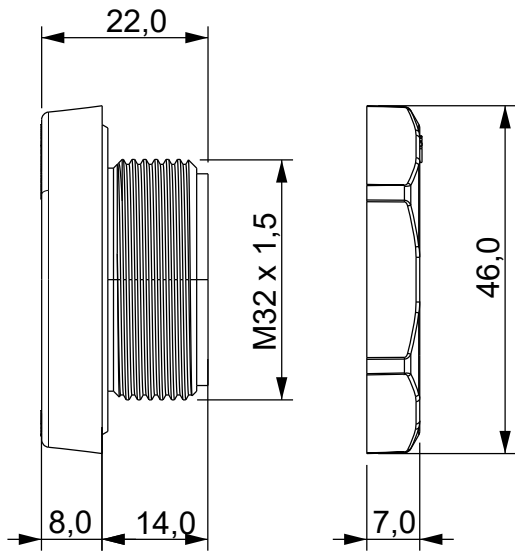


REVISIONS			
REV	DESCRIPTION	DATE	BY

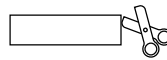


P/N GREY	P/N BLACK
19086PS11	19089PS01

Id	Description	Material	Q.ty
1	Body	TPE	1
2	Thread	PA	1
3	Locknut	PA	1

Flammability: UL94-V0, self-extinguishing
Temperature: -40°C ... +105°C
Properties: halogen-free, silicone-free

Recommended cut-out:
 Ø32.5 mm



UL TYPE 12, 4X	APPROVED MARINE TYPE	UL US
NEMA 12, 4X	HL3 EN 45545-2	IP66
ECOLAB	UL94-V0	UV ISO 4892-2A
		RoHS COMPLIANT

		TITLE ROUND CABLE GLAND PLATES		
		MATERIAL SEE ABOVE	DATE 27/03/2024	
PART NUMBER SEE TABLE		DRAWING NUMBER 24/03/27.1908X.E	COLOR SEE TABLE	CHECK
SIZE A4	SCALE 1:2	UNIT mm.	REV A	UNLESS OTHERWISE SPECIFIED TOLERANCE SEE ABOVE
				APPROVED