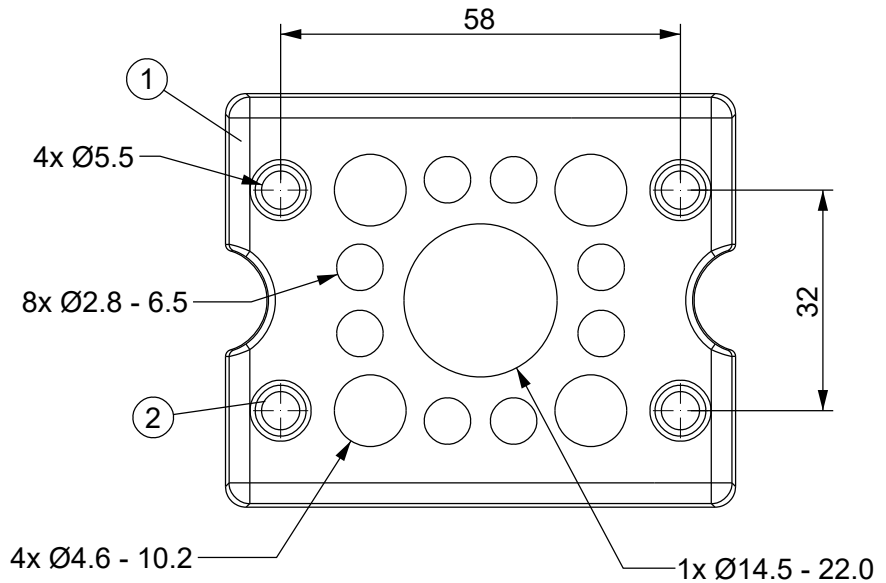
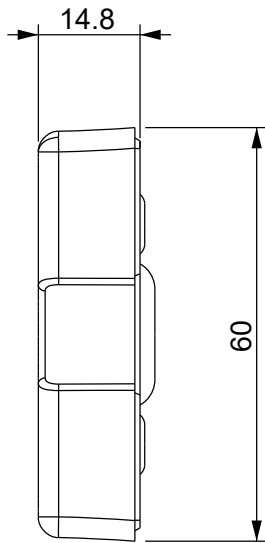
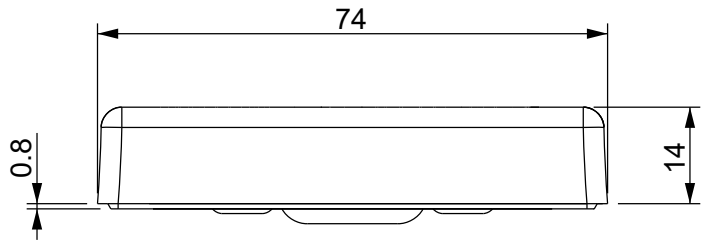
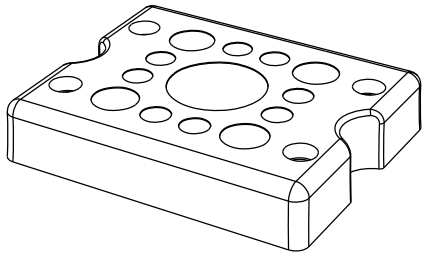


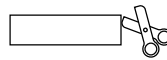
REVISIONS			
REV	DESCRIPTION	DATE	BY



Id	Description	Material	Q.ty	P/N GREY	P/N BLACK
1	Body	TPE	1	19074PS11	19077PS01
2	Internal frame	PA	1		

**Flammability:** UL94-V0, self-extinguishing  
**Temperature:** -40°C ... +105°C  
**Properties:** halogen-free, silicone-free

Recommended cut-out:  
46 x 46 mm



APPROVED 			
NEMA 12	NEMA 4X	IP66	
ECOLAB			RoHS COMPLIANT



TITLE  
**CABLE GLAND PLATES**

MATERIAL  
SEE ABOVE

DATE  
26/03/2024

CHECK

DRAWN  
E.B.

PART NUMBER  
SEE TABLE

DRAWING NUMBER  
24/03/26.1907X.E

COLOR  
SEE TABLE

CHECK

SIZE  
A4

SCALE  
1:2

UNIT  
mm.

REV  
A

UNLESS OTHERWISE SPECIFIED  
TOLERANCE  
SEE ABOVE

APPROVED