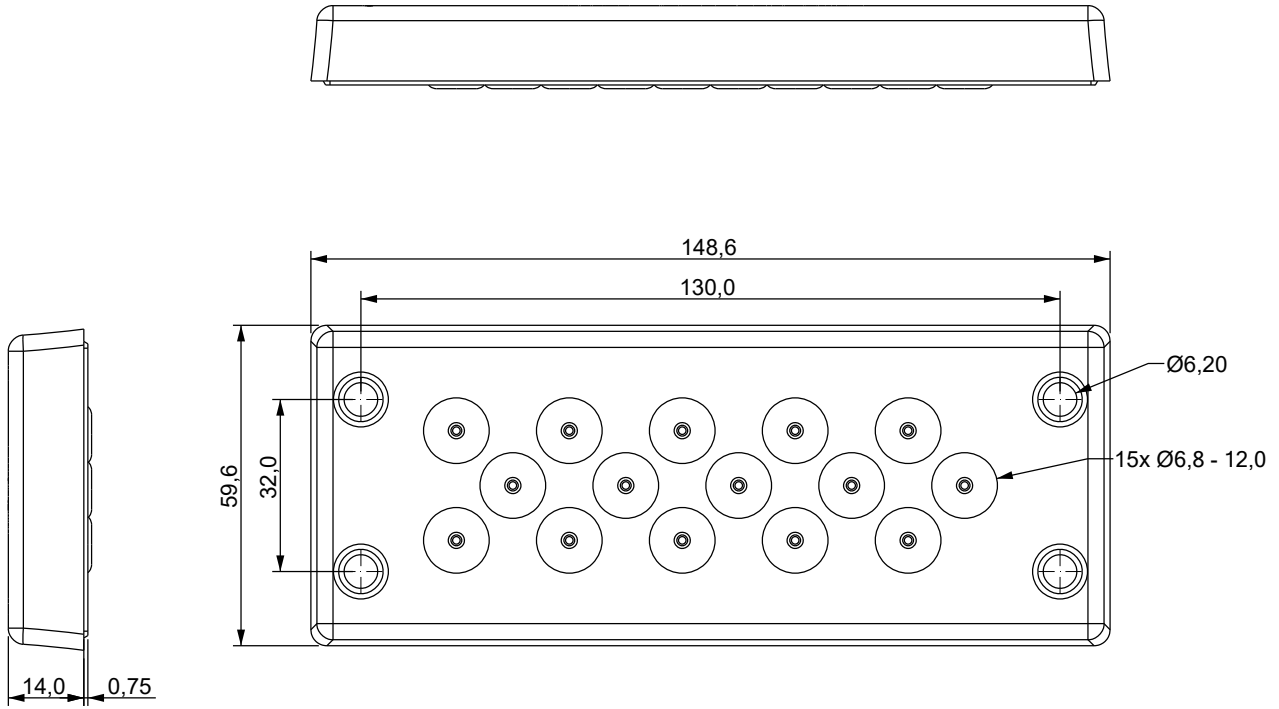


REVISIONS			
REV	DESCRIPTION	DATE	BY



P/N GREY	P/N BLACK
19060PS11	19068PS01

Id	Description	Material	Q.ty
1	Body	TPE	1
2	Internal frame	PA	1

Flammability: UL94-V0, self-extinguishing
Temperature: -40°C ... +105°C
Properties: halogen-free, silicone-free

Recommended cut-out:
 112 x 36 mm

UL TYPE 12, 4X	NEMA 12, 4X	IP66

		TITLE CABLE GLAND PLATES		
		MATERIAL SEE ABOVE	DATE 26/03/2024	
PART NUMBER SEE TABLE		DRAWING NUMBER 24/03/26.190XX.E	COLOR SEE TABLE	CHECK
SIZE A4	SCALE 1:2	UNIT mm.	REV A	UNLESS OTHERWISE SPECIFIED TOLERANCE SEE ABOVE
				APPROVED