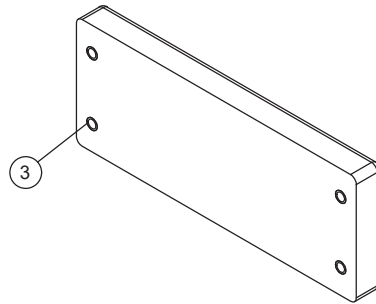
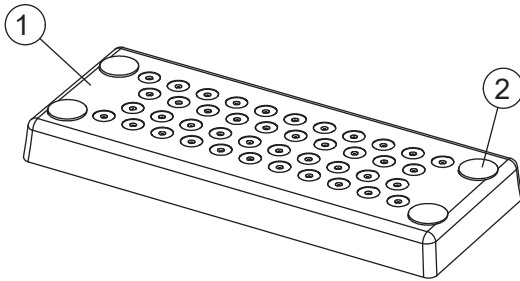
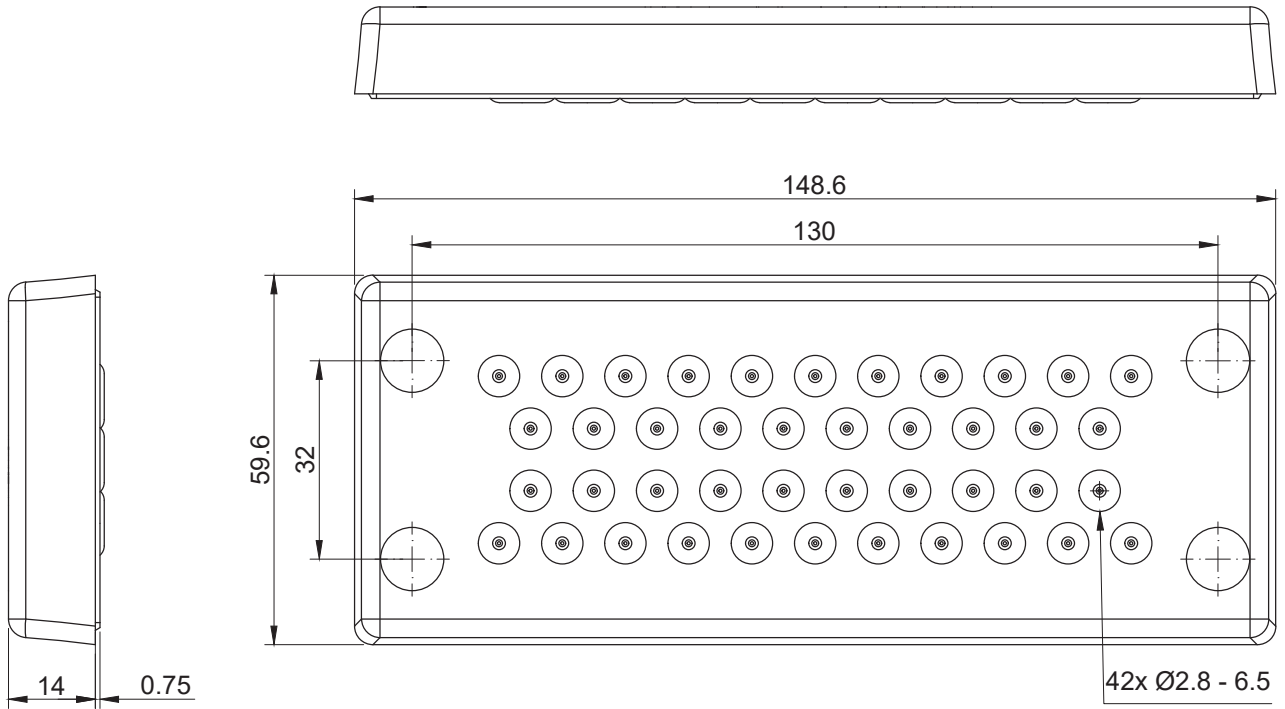


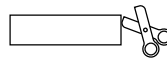
| REVISIONS | | | |
|-----------|-------------|------|----|
| REV | DESCRIPTION | DATE | BY |
| | | | |
| | | | |



| Id | Description | Material | Q.ty |
|----|-------------|----------|------|
| 1 | Body | TPE+PA | 1 |
| 2 | Caps | PE | 4 |
| 3 | M4 Insert | BRASS | 4 |

Flammability: UL94-V0, self-extinguishing
Temperature: -40°C ... +105°C
Properties: halogen-free, silicone-free

Recommended cut-out:
112 x 36 mm



| | | | | |
|--|--|--|--|--|
| | | | | |
| | | | | |

| | | | | |
|--------------------------|--------------|------------------------------------|--------------------|--|
| | | TITLE CABLE GLAND PLATES | | |
| | | MATERIAL SEE ABOVE | DATE 26/03/2024 | |
| PART NUMBER 19056PS11 | | DRAWING NUMBER 24/03/26.19056.E | COLOR GREY | CHECK |
| SIZE A4 | SCALE 1:2 | UNIT mm. | REV A | UNLESS OTHERWISE SPECIFIED TOLERANCE SEE ABOVE |
| | | | | APPROVED |