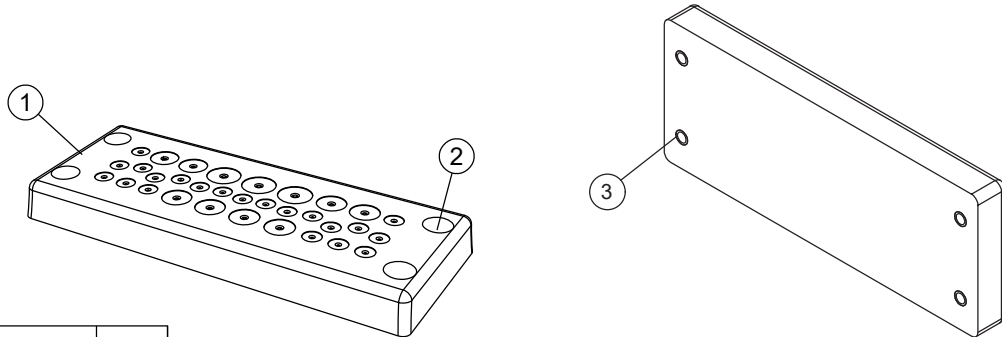
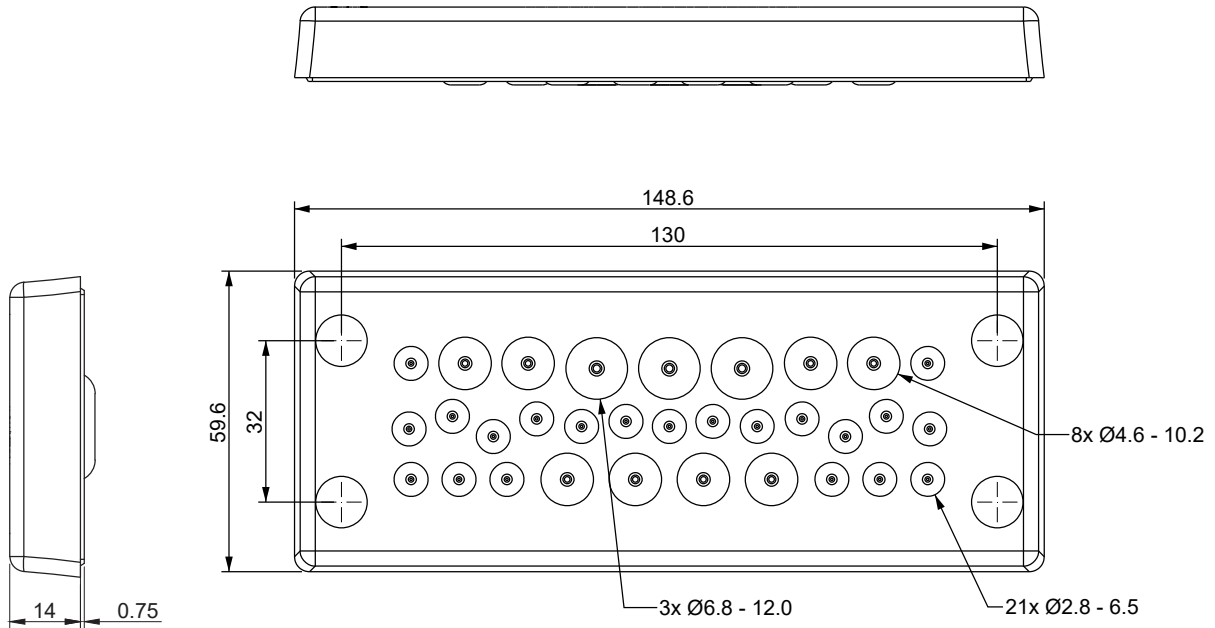


REVISIONS			
REV	DESCRIPTION	DATE	BY



Id	Description	Material	Q.ty
1	Body	TPE+PA	1
2	Caps	PE	4
3	M4 Insert	BRASS	4

Flammability: UL94-V0, self-extinguishing
Temperature: -40°C ... +105°C
Properties: halogen-free, silicone-free

Recommended cut-out:
112 x 36 mm



		TITLE CABLE GLAND PLATES	
		MATERIAL SEE ABOVE	DATE 26/03/2024
PART NUMBER 19055PS11		DRAWING NUMBER 24/03/26.19055.E	CHECK
SIZE A4	SCALE 1:2	UNIT mm.	REV A
COLOR GREY		UNLESS OTHERWISE SPECIFIED TOLERANCE SEE ABOVE	
APPROVED		DRAWN E.B.	