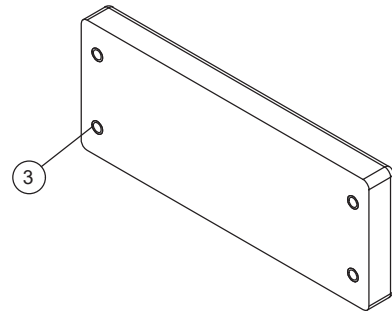
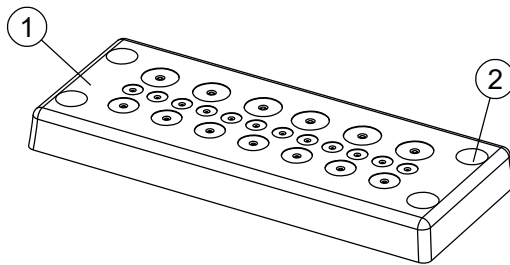
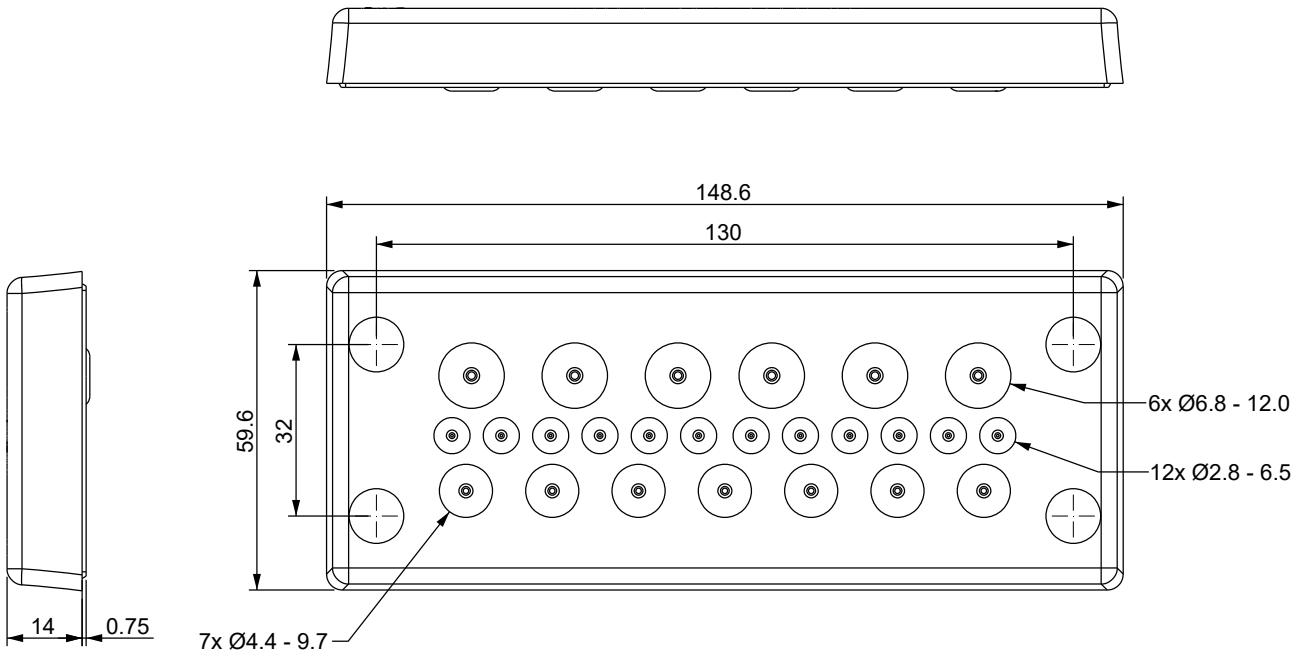


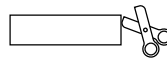
REVISIONS			
REV	DESCRIPTION	DATE	BY



Id	Description	Material	Q.ty
1	Body	TPE+PA	1
2	Caps	PE	4
3	M4 Insert	BRASS	4

**Flammability:** UL94-V0, self-extinguishing  
**Temperature:** -40°C ... +105°C  
**Properties:** halogen-free, silicone-free

Recommended cut-out:  
112 x 36 mm



UL TYPE <b>12, 4X</b>	NEMA <b>12, 4X</b>	IP66  EN 45545-2
		 ISO 4892-2A



TITLE **CABLE GLAND PLATES**

MATERIAL **SEE ABOVE** DATE **26/03/2024**

DRAWN **E.B.**

PART NUMBER **19054PS11** DRAWING NUMBER **24/03/26.19054.E** COLOR **GREY** CHECK

SIZE **A4** SCALE **1:2** UNIT **mm.** REV **A** UNLESS OTHERWISE SPECIFIED TOLERANCE **SEE ABOVE** APPROVED