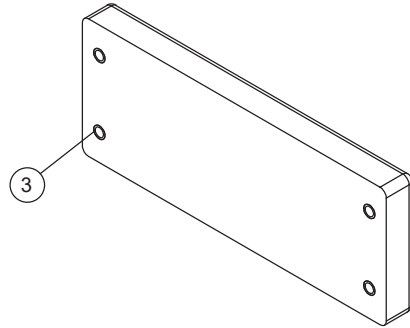
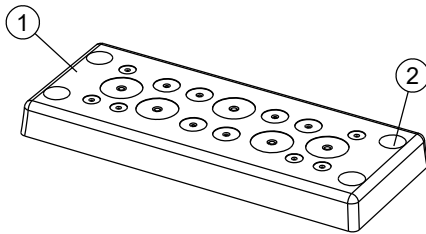
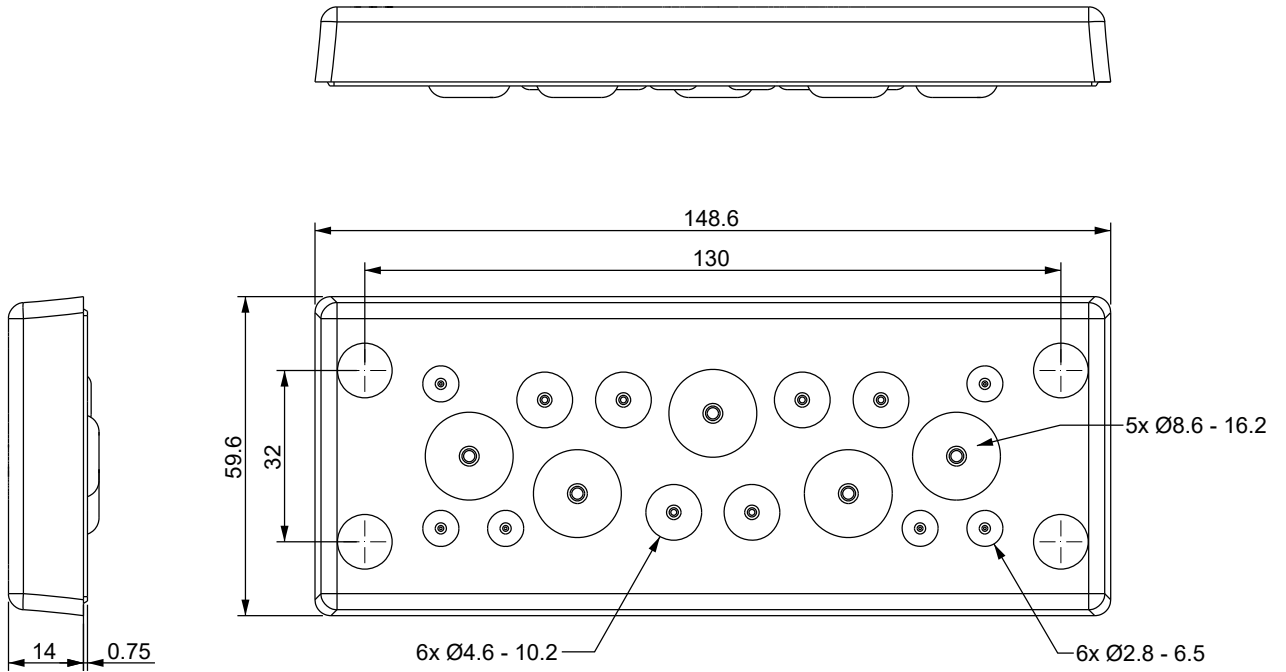


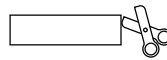
REVISIONS			
REV	DESCRIPTION	DATE	BY



Id	Description	Material	Q.ty
1	Body	TPE+PA	1
2	Caps	PE	4
3	M4 Insert	BRASS	4

Flammability: UL94-V0, self-extinguishing
Temperature: -40°C ... +105°C
Properties: halogen-free, silicone-free

Recommended cut-out:
112 x 36 mm





TITLE **CABLE GLAND PLATES**

MATERIAL **SEE ABOVE** DATE **26/03/2024**

DRAWN **E.B.**

PART NUMBER **19053PS11** DRAWING NUMBER **24/03/26.19053.E** COLOR **GREY** CHECK

SIZE **A4** SCALE **1:2** UNIT **mm.** REV **A** UNLESS OTHERWISE SPECIFIED TOLERANCE **SEE ABOVE** APPROVED