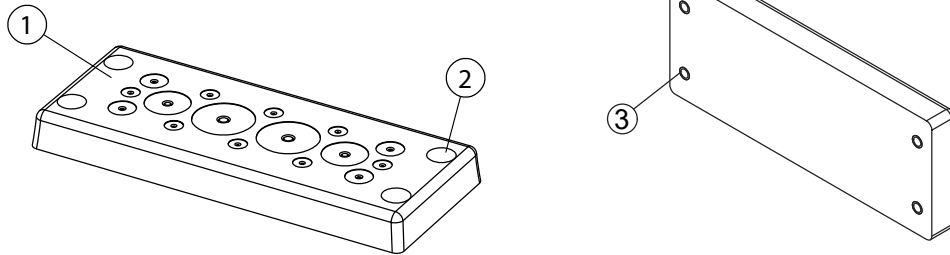
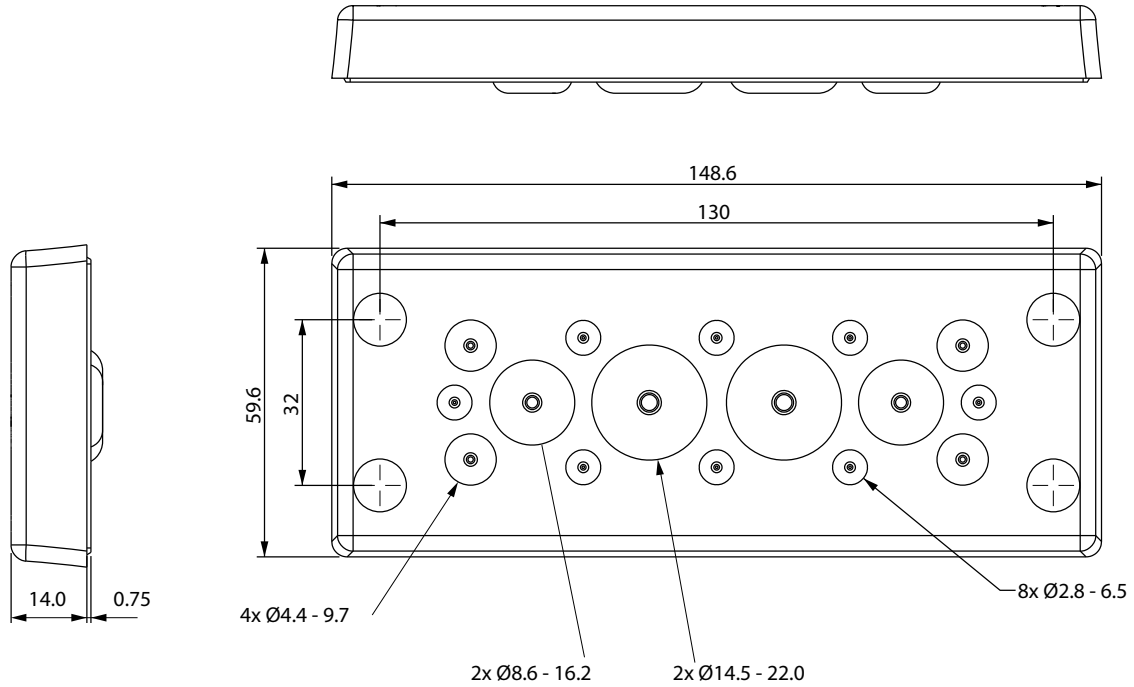


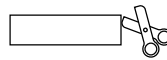
REVISIONS			
REV	DESCRIPTION	DATE	BY



Id	Description	Material	Q.ty
1	Body	TPE+PA	1
2	Caps	PE	4
3	M4 Insert	BRASS	4

Flammability: UL94-V0, self-extinguishing
Temperature: -40°C ... +105°C
Properties: halogen-free, silicone-free

Recommended cut-out:
112 x 36 mm





TITLE
CABLE GLAND PLATES

MATERIAL
SEE ABOVE

DATE
26/03/2024

COLOR
GREY

DRAWN
E.B.

PART NUMBER
19052PS11

DRAWING NUMBER
24/03/26.19052.E

CHECK

SIZE
A4

SCALE
1:2

UNIT
mm.

REV
A

UNLESS OTHERWISE SPECIFIED
TOLERANCE
SEE ABOVE

APPROVED