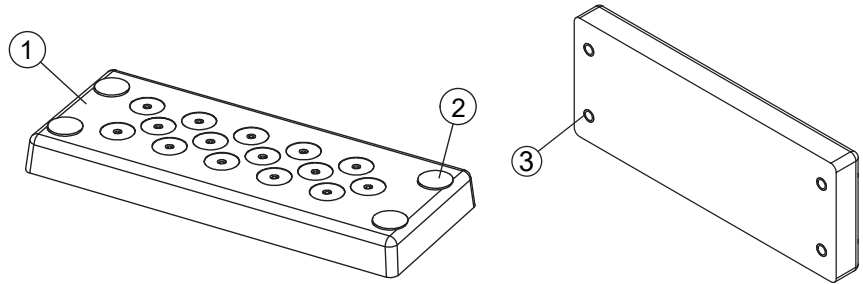
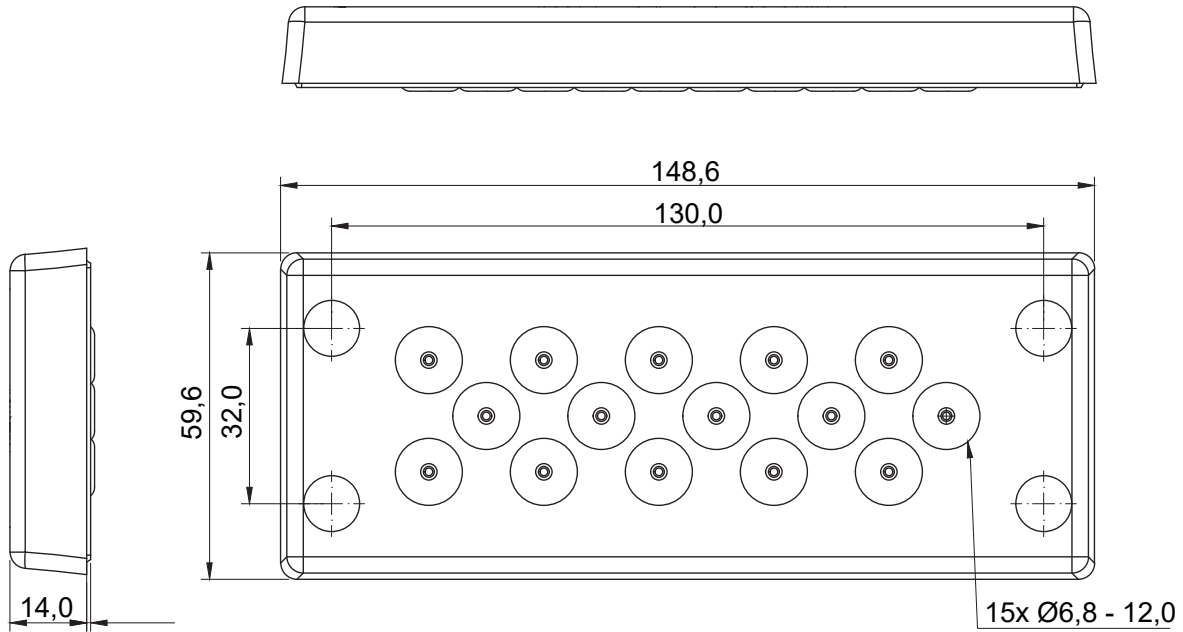


REVISIONS			
REV	DESCRIPTION	DATE	BY

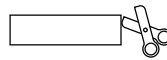


Id	Description	Material	Q.ty	P/N	P/N
				GREY	BLACK
1	Body	TPE+PA	1	19050PS11	19057PS01
2	Caps	PE	4		
3	M4 Insert	BRASS	4		

UL TYPE <b>12, 4X</b>	NEMA <b>12, 4X</b>	IP66 

**Flammability:** UL94-V0, self-extinguishing  
**Temperature:** -40°C ... +105°C  
**Properties:** halogen-free, silicone-free

Recommended cut-out:  
112 x 36 mm



		TITLE <b>CABLE GLAND PLATES</b>	
		MATERIAL SEE ABOVE	DATE 26/03/2024
PART NUMBER SEE TABLE		DRAWING NUMBER 24/03/26.1905X.E	CHECK
SIZE A4	SCALE 1:2	UNIT mm.	REV A
UNLESS OTHERWISE SPECIFIED TOLERANCE SEE ABOVE		APPROVED	