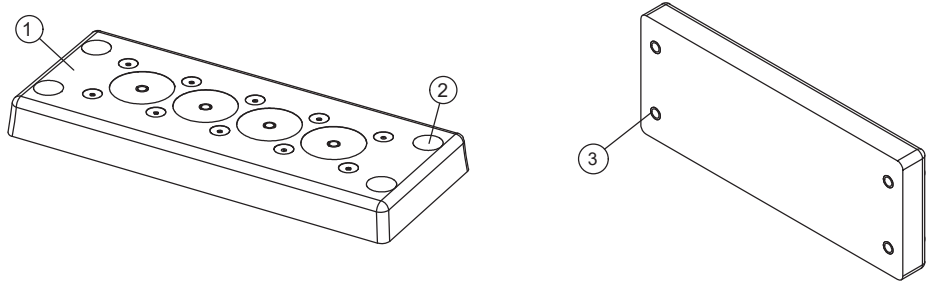
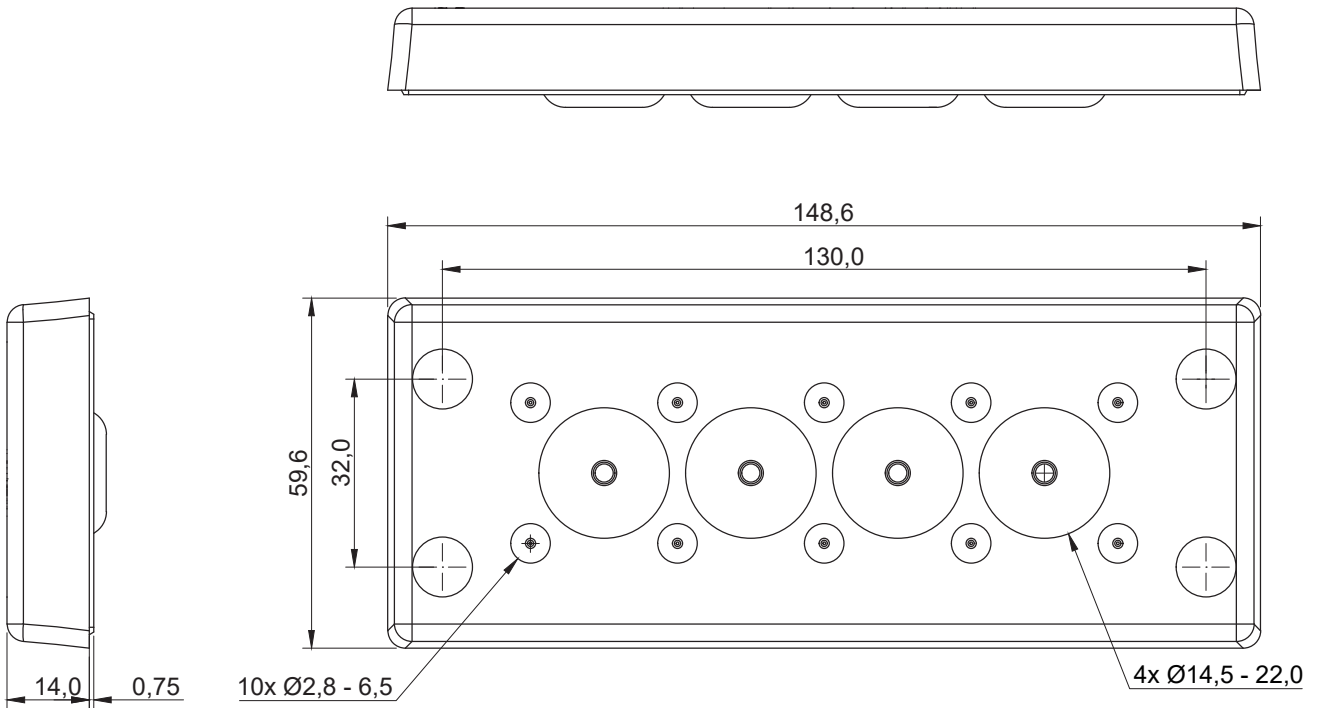


REVISIONS			
REV	DESCRIPTION	DATE	BY



Id	Description	Material	Q.ty
1	Body	TPE+PA	1
2	Caps	PE	4
3	M4 Insert	BRASS	4

**Flammability:** UL94-V0, self-extinguishing  
**Temperature:** -40°C ... +105°C  
**Properties:** halogen-free, silicone-free

Recommended cut-out:  
 112 x 36 mm


		TITLE <b>CABLE GLAND PLATES</b>	
		MATERIAL SEE ABOVE	DATE 26/03/2024
PART NUMBER 19050PS11		DRAWING NUMBER 24/03/26.19050.E	CHECK
SIZE A4	SCALE 1:2	UNIT mm.	REV A
COLOR GREY		UNLESS OTHERWISE SPECIFIED TOLERANCE SEE ABOVE	APPROVED