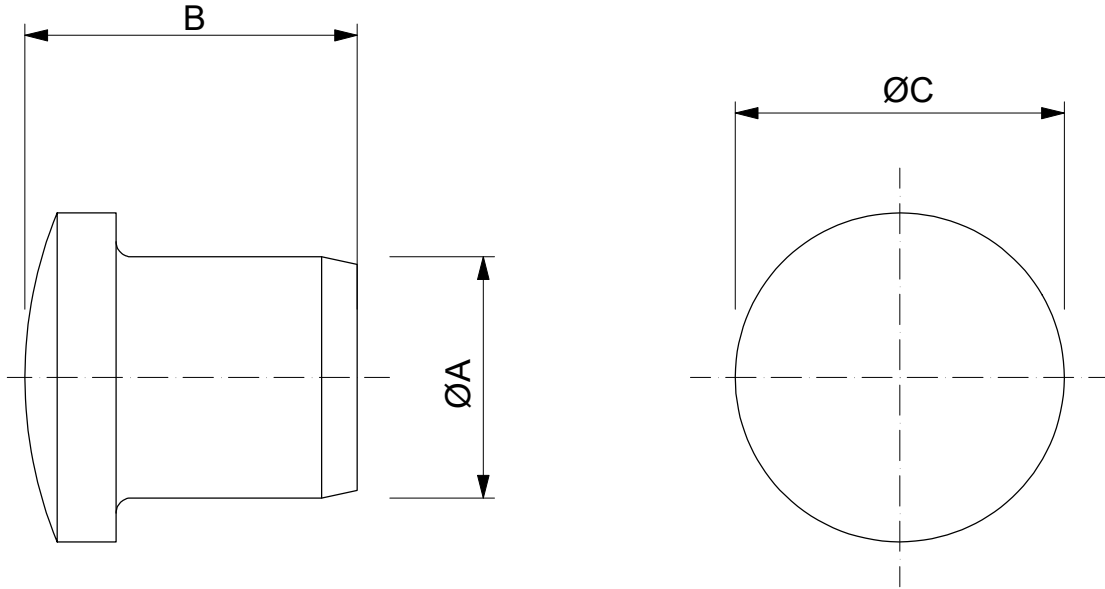


REVISIONS			
REV	DESCRIPTION	DATE	BY



P/N GREY	P/N BLACK	ØA	B	ØC	Ø HOLE
19039BA11	19044BA01	5,5	12,5	10,0	4,5 - 8,0
19040BA11	19045BA01	9,5	16,0	13,5	8,0 - 12,0
19041BA11	19046BA01	12,0	16,5	16,5	12,0 - 16,0
19042BA11	19047BA01	16,0	19,5	20,5	16,0 - 19,0
19043BA11	—	20,0	21,5	24,5	20,0 - 22,5

Flammability: UL94-HB
Temperature: -30°C ... +100°C
Properties: halogen-free, silicone-free



		TITLE INSERTS FOR CABLE GLANDS	
		MATERIAL PA 6	DATE 26/03/2024
PART NUMBER SEE TABLE		DRAWING NUMBER 24/03/26.190XX.E	
DRAWN E.B.		CHECK	
SIZE A4	SCALE 1:2	UNIT mm.	REV A
COLOR SEE TABLE		UNLESS OTHERWISE SPECIFIED TOLERANCE SEE ABOVE	
APPROVED			