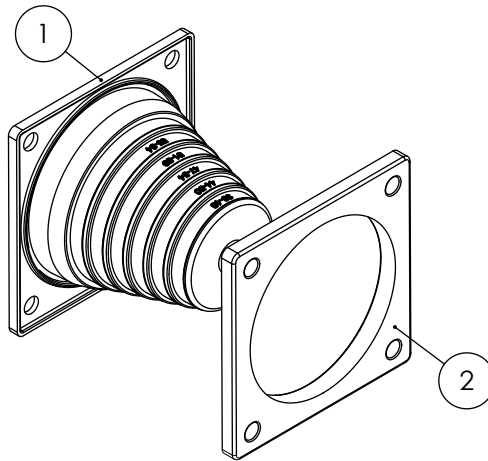
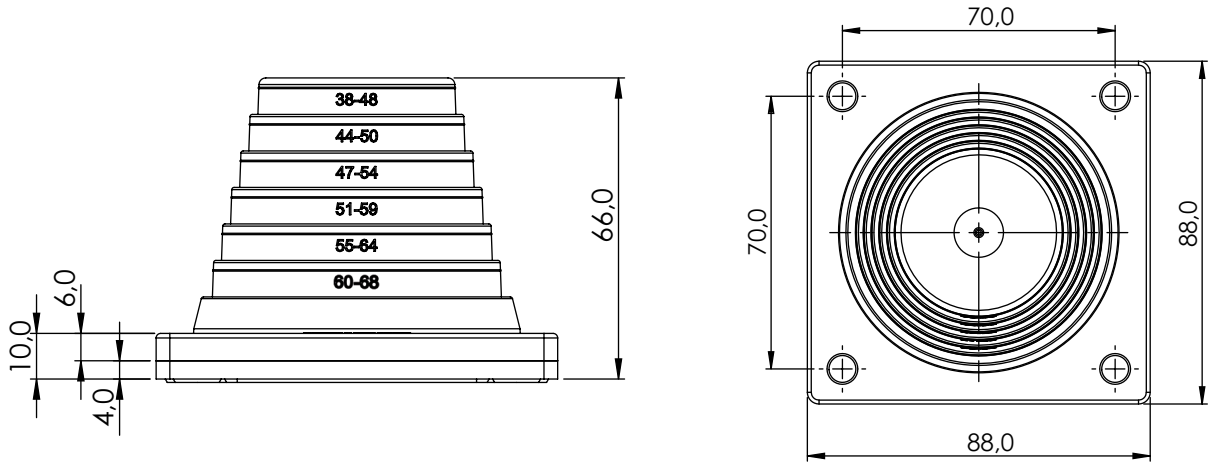


REVISIONS			
REV	DESCRIPTION	DATE	BY



Id	Description	Material	Q.ty	Cable
1	Body	TPE	1	min Ø 38 mm
2	Flange	PA	1	max: Ø 68 mm

Flammability: UL94-V0, self-extinguishing
Temperature: -40°C ... +155°C
Properties: halogen-free, silicone-free

Recommended cut-out:
 Ø 70 mm



APPROVED R MARINE TYPE	NEMA 12	IP66	HL3 EN 45545-2
ECOLAB	EX	UV ISO 4892-2A	RoHS COMPLIANT



TITLE			
GROMMETS			
MATERIAL		DATE	
SEE ABOVE		25/03/2024	
		DRAWN	
		E.B.	
PART NUMBER		COLOR	
19035PS11		GREY	
DRAWING NUMBER		CHECK	
24/03/25.19035.E			
SIZE	SCALE	UNIT	REV
A4	1:2	mm.	A
UNLESS OTHERWISE SPECIFIED TOLERANCE			APPROVED
SEE ABOVE			