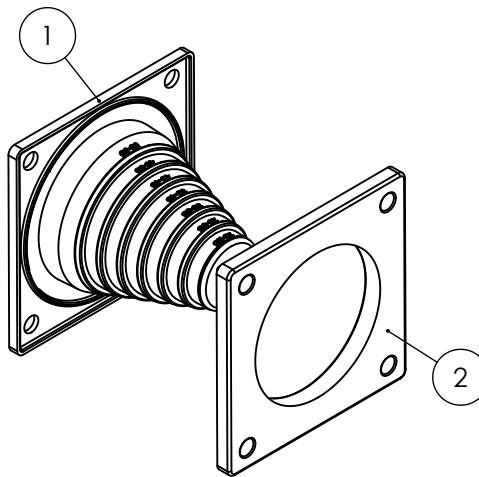
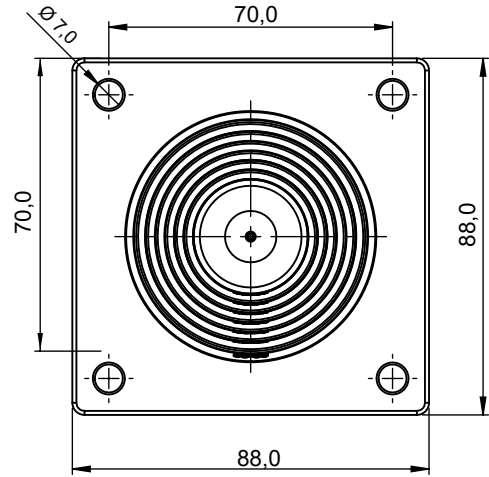
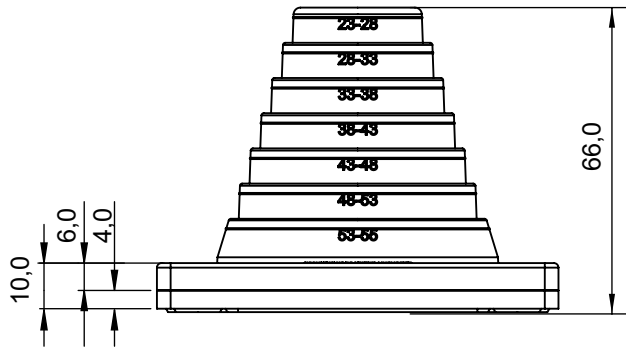


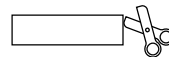
REVISIONS			
REV	DESCRIPTION	DATE	BY



Id	Description	Material	Q.ty	Cable
1	Body	TPE	1	min Ø 23 mm
2	Flange	PA	1	max: Ø 55 mm

**Flammability:** UL94-V0, self-extinguishing  
**Temperature:** -40°C ... +155°C  
**Properties:** halogen-free, silicone-free

Recommended cut-out:  
 Ø 58.5 mm



APPROVED R MARINE TYPE	NEMA 12	IP66	HL3 EN 45545-2
ECOLAB	EX	UV ISO 4892-2A	RoHS COMPLIANT



TITLE			
<b>GROMMETS</b>			
MATERIAL		DATE	
SEE ABOVE		25/03/2024	
		DRAWN	
		E.B.	
PART NUMBER		CHECK	
19034PS11			
DRAWING NUMBER		COLOR	
24/03/25.19034.E		GREY	
SIZE	SCALE	UNIT	REV
A4	1:2	mm.	A
UNLESS OTHERWISE SPECIFIED TOLERANCE			APPROVED
SEE ABOVE			