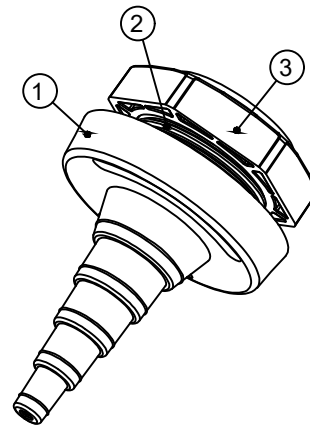
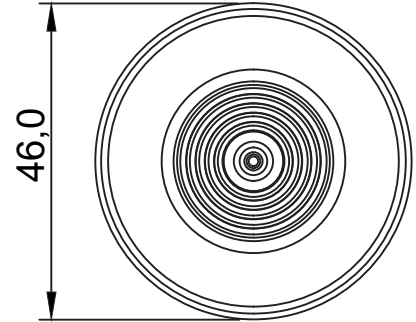
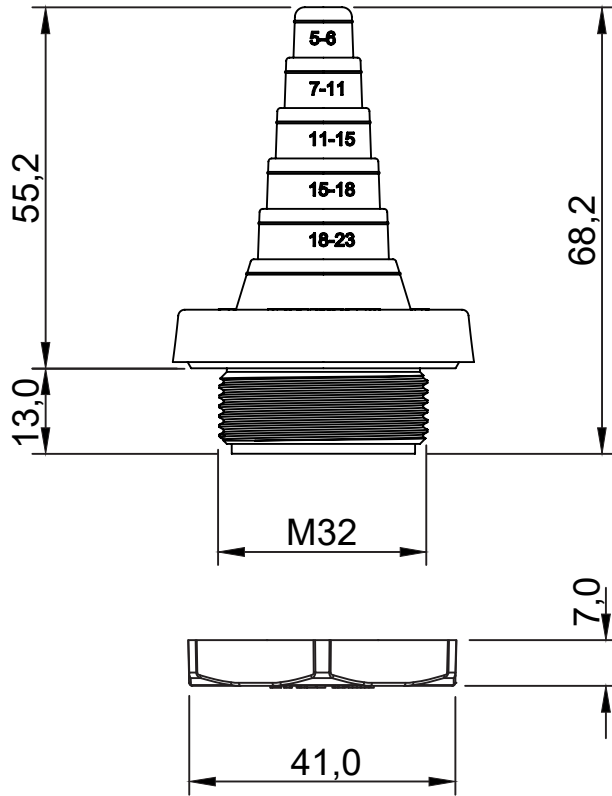


REVISIONS			
REV	DESCRIPTION	DATE	BY

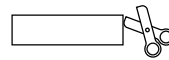


P/N GREY	P/N BLACK
19028PS11	19031PS01

Id	Description	Material	Q.ty	
1	Body	TPE	1	Cable min Ø 5 mm max: Ø 23 mm
2	Frame	PA	1	
3	Locknut	PA	1	

Flammability: UL94-V0, self-extinguishing
Temperature: -40°C ... +155°C
Properties: halogen-free, silicone-free

Recommended cut-out:
 Ø 32.5 mm



APPROVED MACHINE TYPE	C US pending	IP66	HL3 EN 45545-2
	UL94-V0	UV ISO 4892-2A	RoHS COMPLIANT



TITLE GROMMETS			
MATERIAL SEE ABOVE		DATE 25/03/2024	
		DRAWN E.B.	
PART NUMBER SEE TABLE		CHECK	
DRAWING NUMBER 24/03/25.19028.E		APPROVED	
SIZE A4	SCALE 1:2	UNIT mm.	REV A
COLOR SEE TABLE		UNLESS OTHERWISE SPECIFIED TOLERANCE SEE ABOVE	