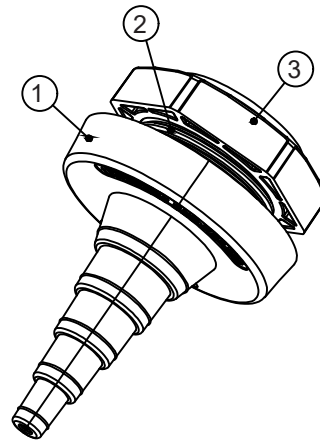
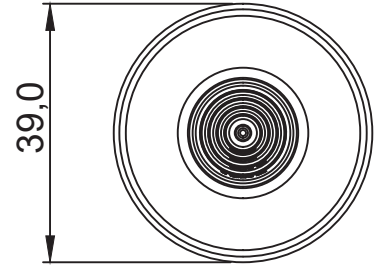
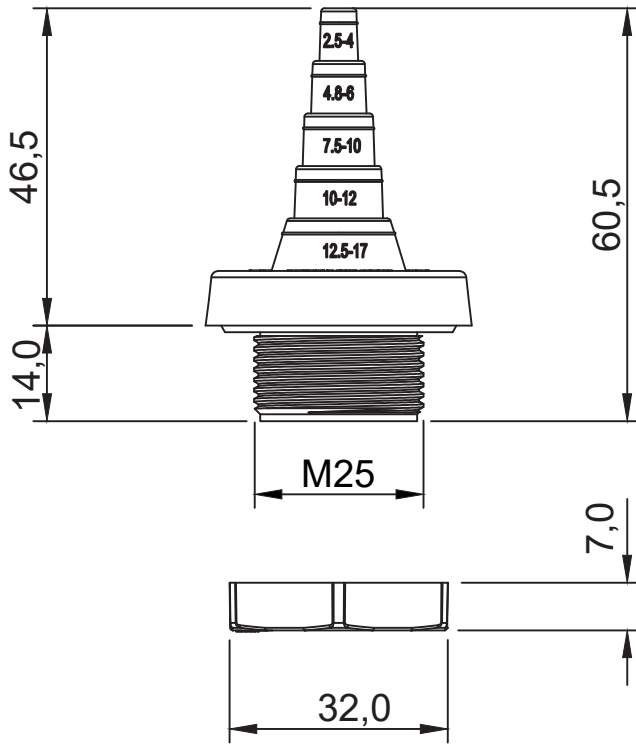


| REVISIONS |             |      |    |
|-----------|-------------|------|----|
| REV       | DESCRIPTION | DATE | BY |
|           |             |      |    |
|           |             |      |    |

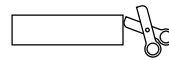


| P/N<br>GREY | P/N<br>BLACK |
|-------------|--------------|
| 19027PS11   | 19030PS01    |

| Id | Description | Material | Q.ty |  |
|----|-------------|----------|------|--|
| 1  | Body        | TPE      | 1    | <b>Cable</b><br>min Ø 2.5 mm<br>max: Ø 17 mm |
| 2  | Frame       | PA       | 1    |  |
| 3  | Locknut     | PA       | 1    |  |

**Flammability:** UL94-V0, self-extinguishing  
**Temperature:** -40°C ... +155°C  
**Properties:** halogen-free, silicone-free

Recommended cut-out:  
 Ø 25.5 mm



|  |  |  |  |
|--|--|--|--|
|  |  |  |  |
|  |  |  |  |

|  |              |                                    |                    |
|--|--------------|------------------------------------|--------------------|
|  |              | TITLE<br><b>GROMMETS</b>           |                    |
|  |              | MATERIAL<br>SEE ABOVE              | DATE<br>25/03/2024 |
| PART NUMBER<br>SEE TABLE                             |              | DRAWING NUMBER<br>24/03/25.19027.E | CHECK              |
| SIZE<br>A4   | SCALE<br>1:2 | UNIT<br>mm.                        | REV<br>A           |
| UNLESS OTHERWISE SPECIFIED<br>TOLERANCE<br>SEE ABOVE |              | APPROVED                           |                    |