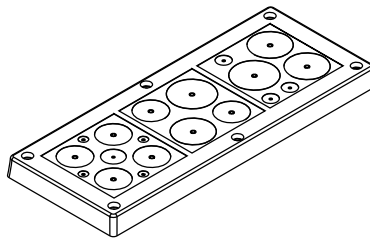
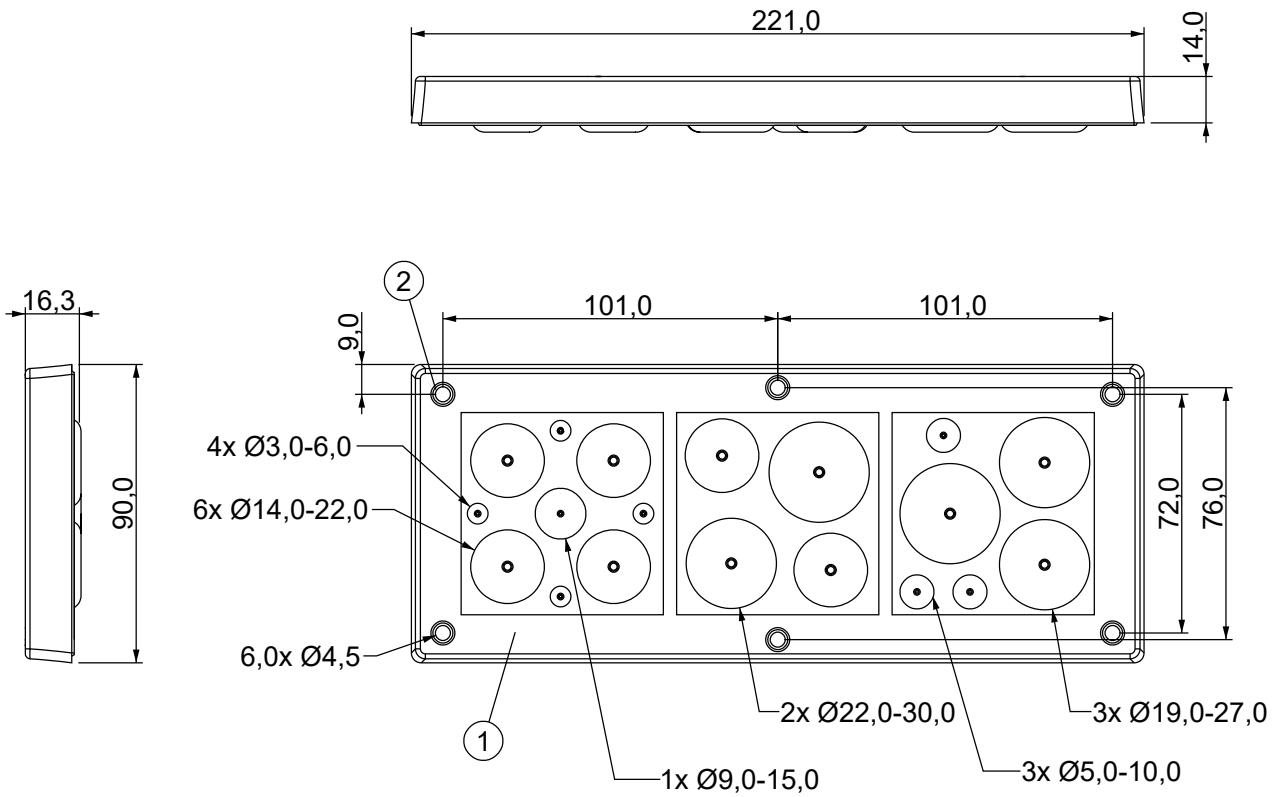


REVISIONS			
REV	DESCRIPTION	DATE	BY



P/N GREY	P/N BLACK
19024PS11	19025PS01

Id	Description	Material	Q.ty
1	Body	TPE	1
2	Frame	PA	1

Flammability: UL94-V0, self-extinguishing
Temperature: -40°C ... +110°C
Properties: halogen-free, silicone-free

Recommended cut-out:
192 x 62 mm

		TITLE CABLE GLANDS	
		MATERIAL SEE ABOVE	DATE 25/03/2024
PART NUMBER SEE TABLE		DRAWN E.B.	CHECK
DRAWING NUMBER 24/03/25.19024.E	COLOR SEE TABLE	APPROVED	
SIZE A4	SCALE 1:2	UNIT mm.	REV A
UNLESS OTHERWISE SPECIFIED TOLERANCE SEE ABOVE		APPROVED	