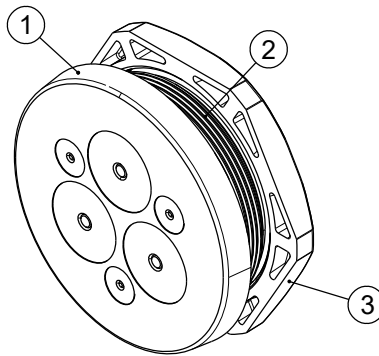
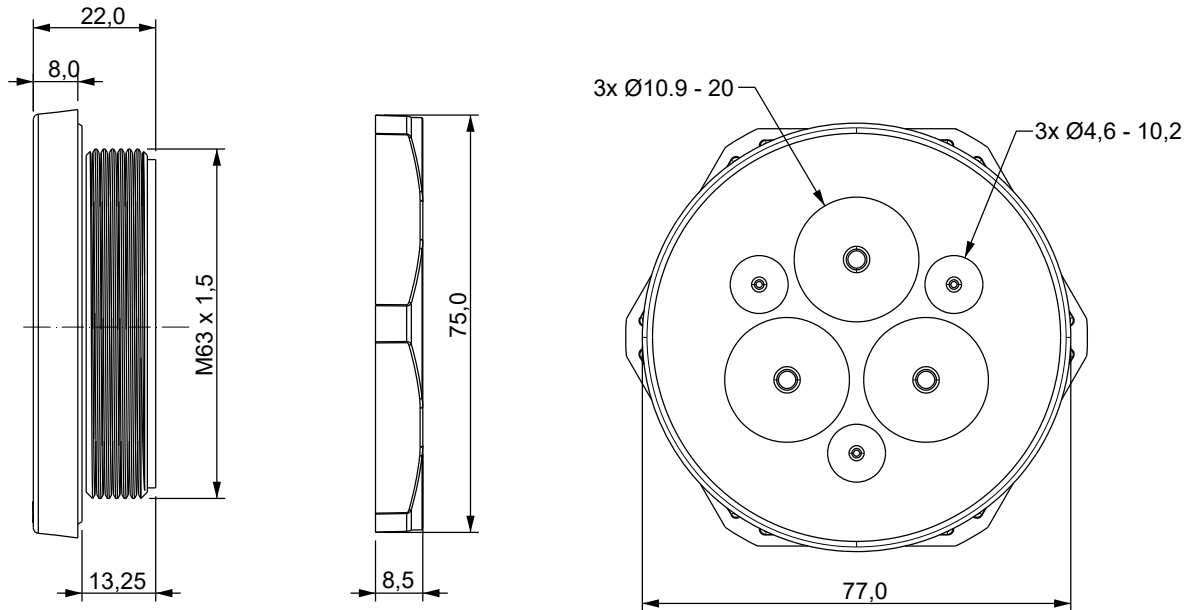


| REVISIONS | | | |
|-----------|-------------|------|----|
| REV | DESCRIPTION | DATE | BY |
| | | | |
| | | | |



| Id | Description | Material | Q.ty |
|----|-------------|----------|------|
| 1 | Body | TPE | 1 |
| 2 | Thread | PA | 1 |
| 3 | Locknut | PA | 1 |

Flammability: UL94-V0, self-extinguishing
Temperature: -40°C ... +105°C
Properties: halogen-free, silicone-free

Recommended cut-out:
 Ø 63,5 mm



| | | |
|------------------------------|-------------------|-------------------|
| UL TYPE 12, 4X | HL3 EN 45545-2 | Ex |
| APPROVED R MARINE TYPE | UL US | IP66 IP68 |
| ECOLAB | UL94-V0 | NEMA 12, 4X |
| | UV ISO 4892-2A | RoHS COMPLIANT |



| TITLE CABLE GLANDS | | | |
|--|--------------|------------------------------------|----------|
| MATERIAL SEE ABOVE | | DATE 25/03/2024 | |
| | | DRAWN E.B. | |
| PART NUMBER 19022PS11 | | DRAWING NUMBER 24/03/25.19022.E | |
| COLOR GREY | | CHECK | |
| SIZE A4 | SCALE 1:2 | UNIT mm. | REV A |
| UNLESS OTHERWISE SPECIFIED TOLERANCE SEE ABOVE | | APPROVED | |