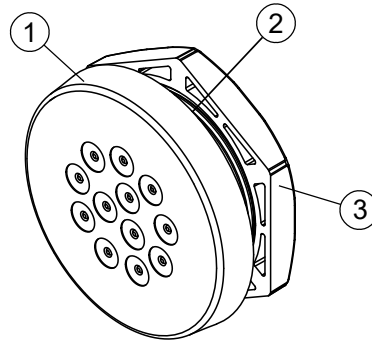
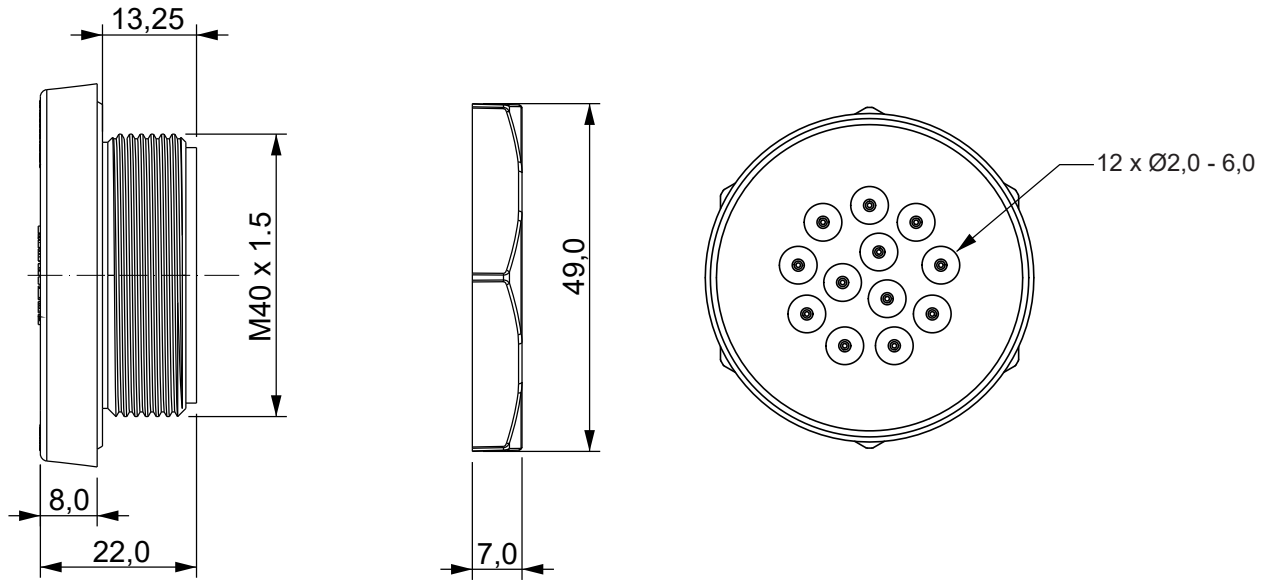


REVISIONS			
REV	DESCRIPTION	DATE	BY



Id	Description	Material	Q.ty
1	Body	TPE	1
2	Thread	PA	1
3	Locknut	PA	1

	UL TYPE <b>12, 4X</b>	 EN 45545-2	
		<b>IP66</b> <b>IP68</b>	<b>NEMA</b> <b>12, 4X</b>

**Flammability:** UL94-V0, self-extinguishing  
**Temperature:** -40°C ... +105°C  
**Properties:** halogen-free, silicone-free

Recommended cut-out:  
 Ø 40,5 mm



		TITLE <b>CABLE ENTRY PLATES</b>	
		MATERIAL SEE ABOVE	DATE 25/03/2024
PART NUMBER 19021PS01		DRAWING NUMBER 24/03/25.19021.E	CHECK
SIZE A4	SCALE 1:2	UNIT mm.	REV A
COLOR BLACK		UNLESS OTHERWISE SPECIFIED TOLERANCE SEE ABOVE	APPROVED