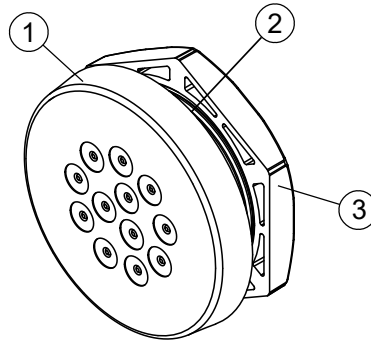
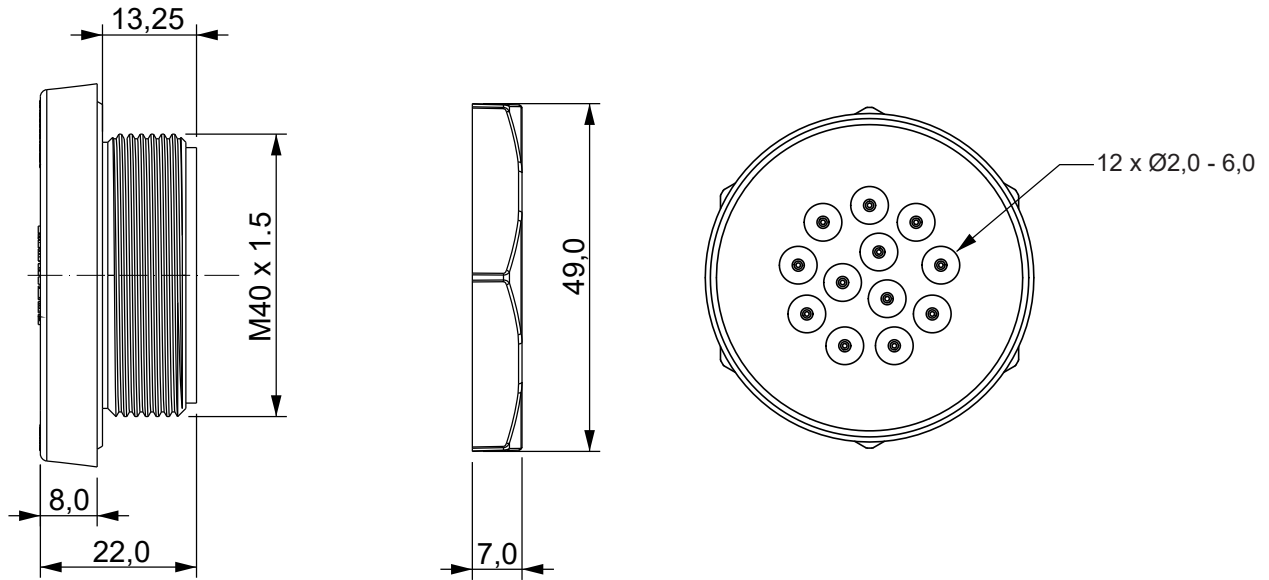


REVISIONS			
REV	DESCRIPTION	DATE	BY



Id	Description	Material	Q.ty
1	Body	TPE	1
2	Thread	PA	1
3	Locknut	PA	1

	UL TYPE 12, 4X		
		IP66 IP68	NEMA 12, 4X

**Flammability:** UL94-V0, self-extinguishing  
**Temperature:** -40°C ... +105°C  
**Properties:** halogen-free, silicone-free

Recommended cut-out:  
 Ø 40,5 mm



		TITLE <b>CABLE ENTRY PLATES</b>	
		MATERIAL SEE ABOVE	DATE 25/03/2024
PART NUMBER 19020PS11		DRAWN E.B.	CHECK
SIZE A4	SCALE 1:2	COLOR GREY	APPROVED
UNIT mm.	REV A	UNLESS OTHERWISE SPECIFIED TOLERANCE SEE ABOVE	