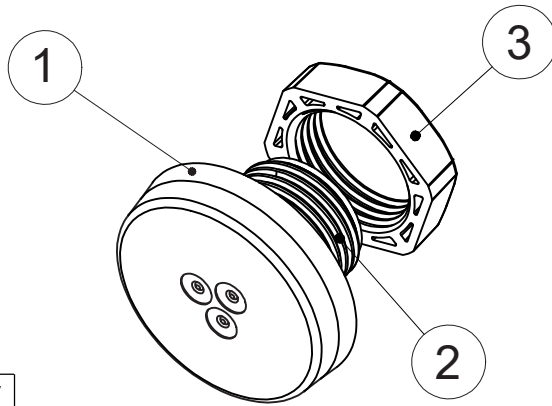
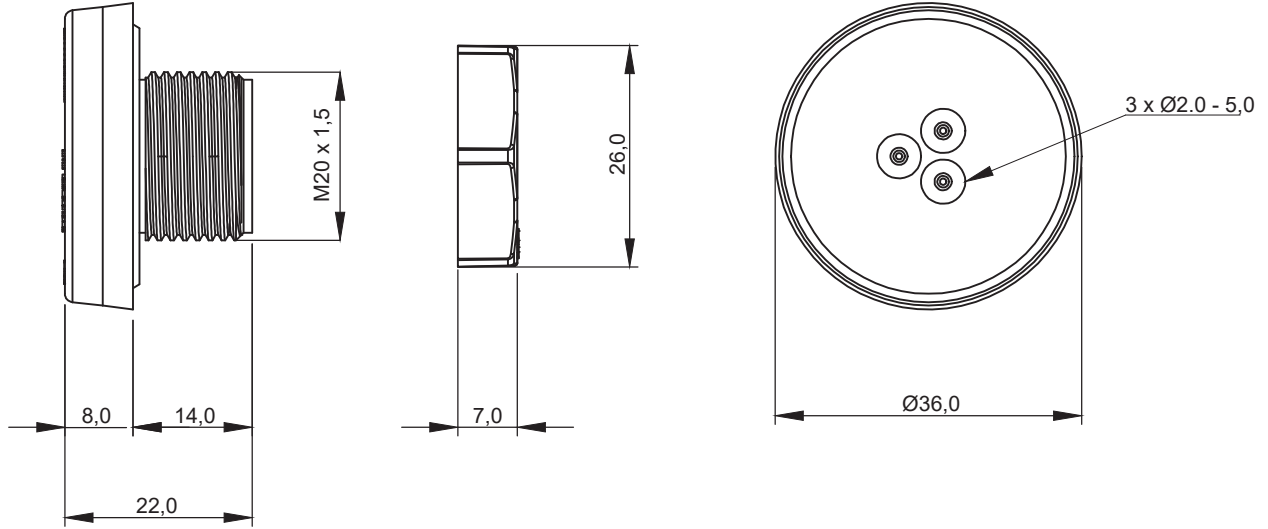


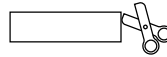
REVISIONS			
REV	DESCRIPTION	DATE	BY



Id	Description	Material	Q.ty
1	Body	TPE	1
2	Thread	PA	1
3	Locknut	PA	1

Flammability: UL94-V0, self-extinguishing
Temperature: -40°C ... +105°C
Properties: halogen-free, silicone-free

Recommended cut-out:
 Ø 20,5 mm



APPROVED R MACHINE TYPE	UL TYPE 12, 4X	HL3 EN 45545-2	Ex
ECOLAB	IP66 IP68	UL94-V0	NEMA 12, 4X
		UV ISO 4892-2A	RoHS COMPLIANT



TITLE CABLE ENTRY PLATES			
MATERIAL SEE ABOVE		DATE 25/03/2024	
		DRAWN E.B.	
PART NUMBER 19016PS01	DRAWING NUMBER 24/03/25.19016.E	COLOR BLACK	CHECK
SIZE A4	SCALE 1:2	UNIT mm.	REV A
UNLESS OTHERWISE SPECIFIED TOLERANCE SEE ABOVE			APPROVED