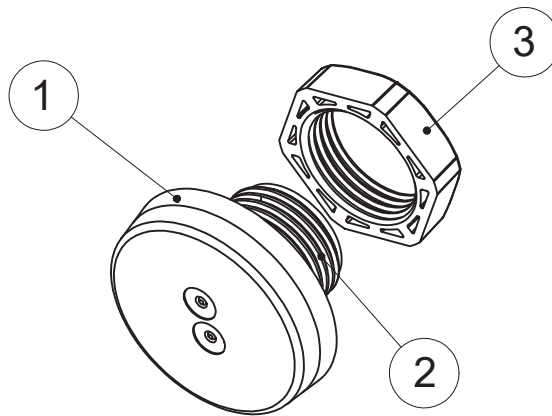
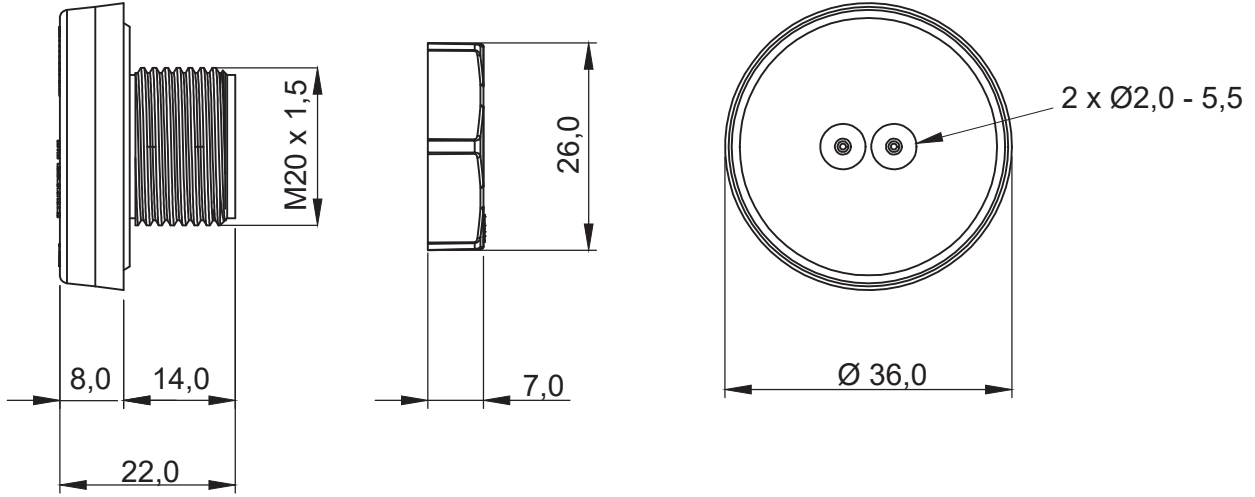


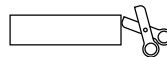
REVISIONS			
REV	DESCRIPTION	DATE	BY



Id	Description	Material	Q.ty
1	Body	TPE	1
2	Thread	PA	1
3	Locknut	PA	1

Flammability: UL94-V0, self-extinguishing
Temperature: -40°C ... +105°C
Properties: halogen-free, silicone-free

Recommended cut-out:
 Ø 20,5 mm



UL TYPE 12, 4X	HL3 EN 45545-2	Ex
APPROVED R MARINE TYPE	UL US	IP66 IP68
ECOLAB	UL94-V0	NEMA 12, 4X
	UV ISO 4892-2A	RoHS COMPLIANT



CABLE ENTRY PLATES

MATERIAL	SEE ABOVE	DATE	25/03/2024
		DRAWN	E.B.
PART NUMBER	19015PS01	DRAWING NUMBER	24/03/25.19015.E
COLOR	BLACK	CHECK	
SIZE	A4	SCALE	1:2
UNIT	mm.	REV	A
UNLESS OTHERWISE SPECIFIED TOLERANCE	SEE ABOVE	APPROVED	