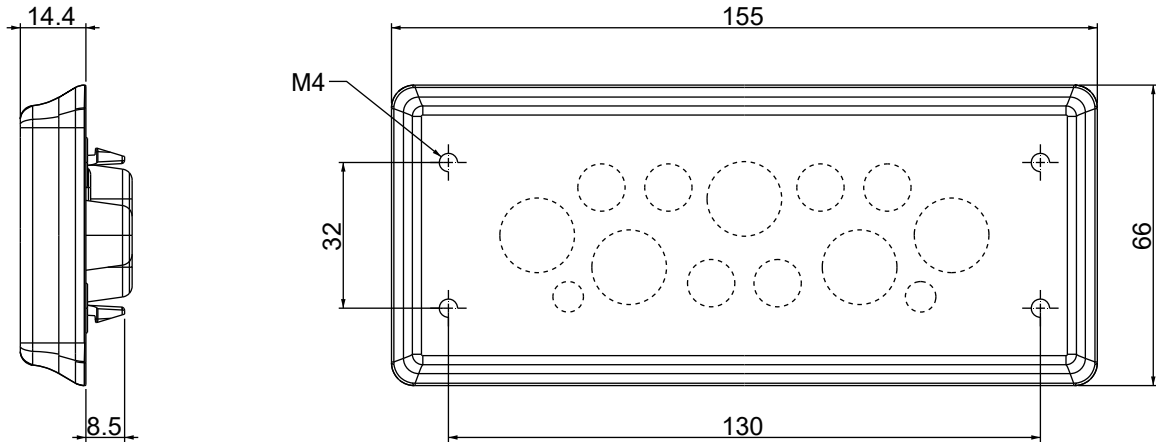


REVISIONS			
REV	DESCRIPTION	DATE	BY



**Flammability:** UL94-V0, self-extinguishing  
**Temperature:** -40°C ... +110°C  
**Properties:** halogen-free, silicone-free  
**Cable Ø :** 21 x 2,8 - 6,5 mm  
8 x 4,6 - 10,2 mm  
6 x 6,8 - 12,0 mm

Recommended cut-out:  
112 x 18 mm



APPROVED MARINE TYPE	IP66	pending	EN 45545-2
		NEMA 12, 4X	UL TYPE 12, 4X
ECOLAB		ISO 4892-2A	RoHS COMPLIANT

		TITLE <b>SPC</b>	
		MATERIAL TPE	DATE 29/03/2024
PART NUMBER 19010PS11		DRAWING NUMBER 24/03/29.19010.E	
DRAWN E.B.		COLOR GREY	CHECK
SIZE A4	SCALE 1:2	UNIT mm.	REV A
UNLESS OTHERWISE SPECIFIED TOLERANCE SEE ABOVE		APPROVED	