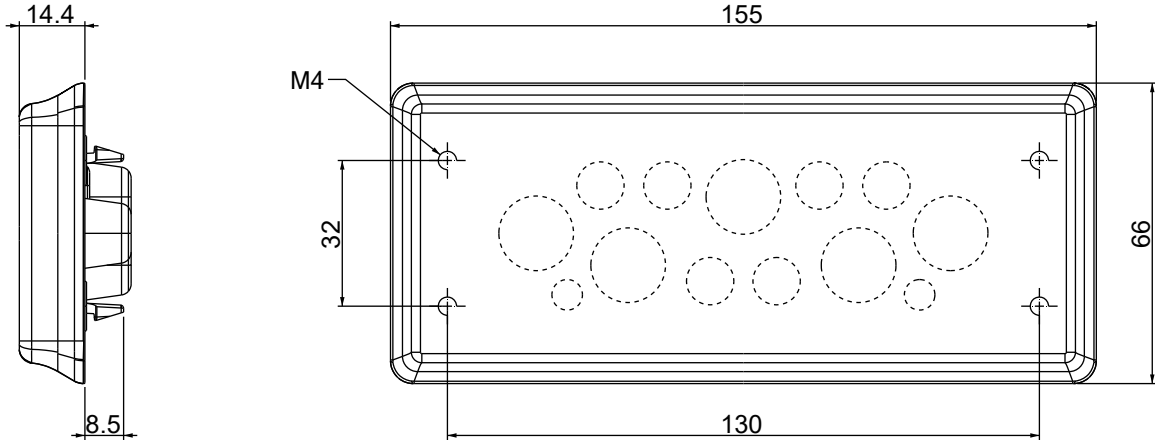
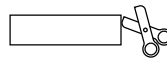


REVISIONS			
REV	DESCRIPTION	DATE	BY



**Flammability:** UL94-V0, self-extinguishing  
**Temperature:** -40°C ... +110°C  
**Properties:** halogen-free, silicone-free  
**Cable Ø :** 12 x 2,8 - 6,5 mm  
7 x 4,4 - 9,7 mm  
6 x 6,8 - 12,0 mm

Recommended cut-out:  
112 x 18 mm



APPROVED <b>R</b> MARINE TYPE	<b>IP66</b>	<b>NEMA 12, 4X</b>	<b>UL TYPE 12, 4X</b>
<b>ECOLAB</b>	<b>UL94-V0</b>	<b>UV</b> ISO 4892-2A	<b>RoHS COMPLIANT</b>

<b>UL</b> pending EN 45545-2	<b>HL3</b>
------------------------------------	------------

		TITLE <b>SPC</b>	
		MATERIAL TPE	DATE 29/03/2024
PART NUMBER 19009PS11		DRAWING NUMBER 24/03/29.19009.E	
DRAWN E.B.		COLOR GREY	CHECK
SIZE A4	SCALE 1:2	UNIT mm.	REV A
UNLESS OTHERWISE SPECIFIED TOLERANCE <b>SEE ABOVE</b>		APPROVED	