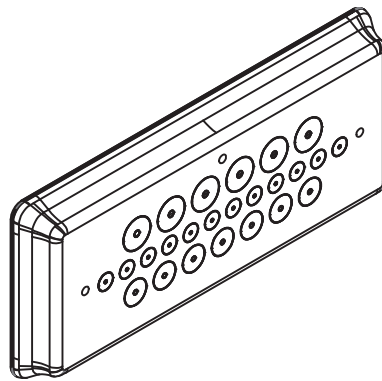
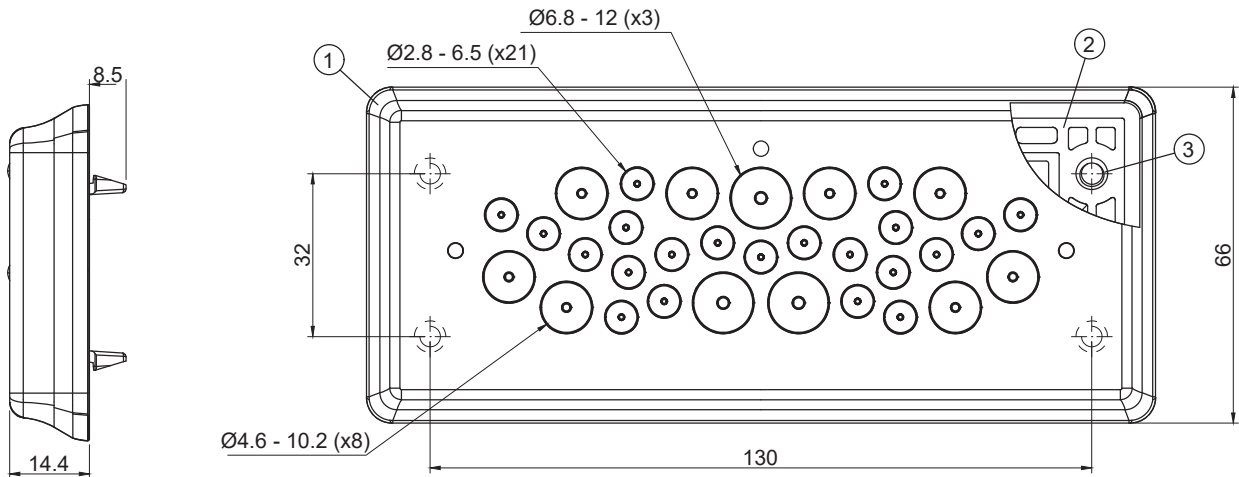
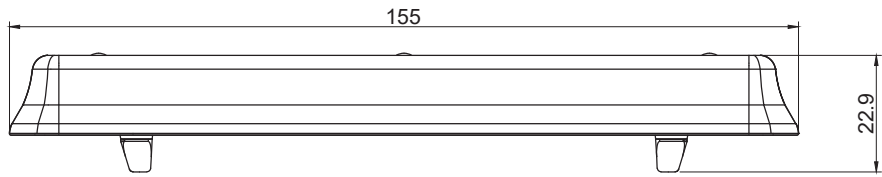


REVISIONS			
REV	DESCRIPTION	DATE	BY



Id	Description	Material	Q.ty
1	Body	TPE	1
2	Internal frame	PA	1
3	M4 threaded insert	Brass	4

Flammability: UL94-HB, self-extinguishing Temperature: -40°C ... +110°C Properties: halogen-free, silicone-free	Recommended cut-out: 112 x 36 mm 	FDA <small>COMPLIANT</small>	IP66	NEMA 12, 4X
				RoHS <small>COMPLIANT</small>

		TITLE CABLE ENTRY PLATES		
		MATERIAL SEE ABOVE		DATE 25/03/2024
PART NUMBER 19007PS08		DRAWING NUMBER 24/03/25.19007.E		COLOR BLU RAL 5005
SIZE A4	SCALE 1:2	UNIT mm.	REV A	CHECK E.B.
UNLESS OTHERWISE SPECIFIED TOLERANCE SEE ABOVE				APPROVED