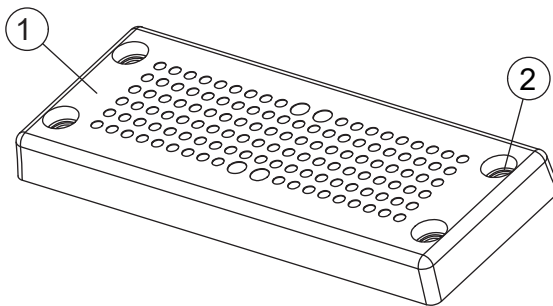
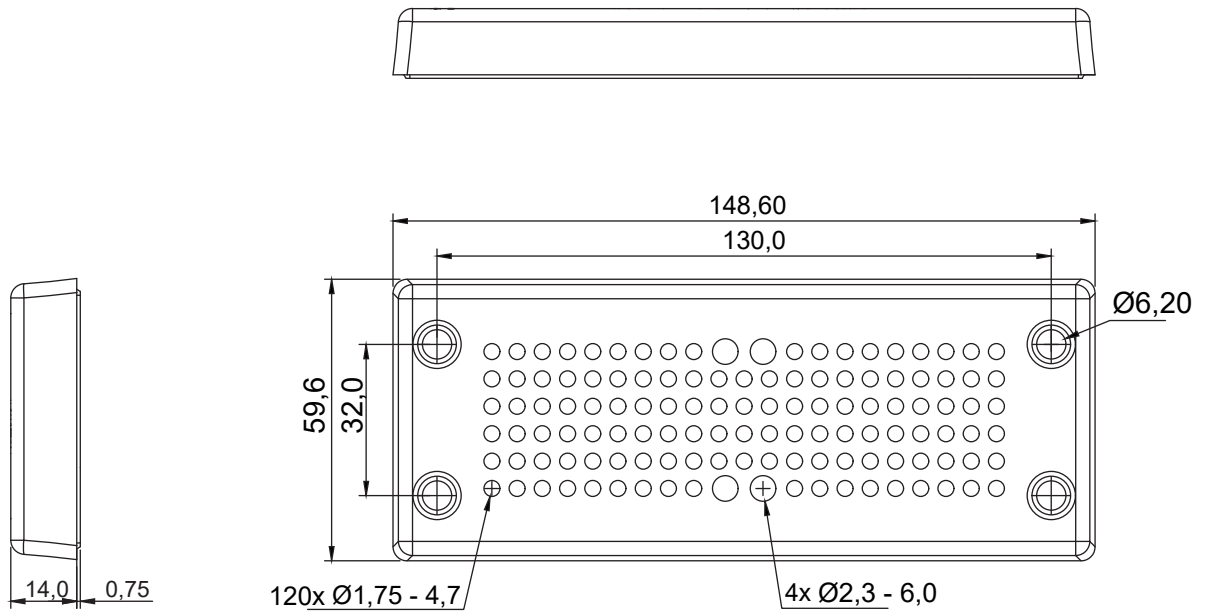









REVISIONS			
REV	DESCRIPTION	DATE	BY



Id	Description	Material	Q.ty
1	Body	TPE	1
2	Internal frame	PA	1



Flammability: UL94-V0, self-extinguishing Temperature: -40°C ... +105°C Properties: halogen-free, silicone-free	Recommended cut-out: 112 x 36 mm 	 EN 45545-2	IP66	NEMA 12, 4X	UL TYPE 12, 4X	
		ECOLAB		 ISO 4892-2A	RoHS COMPLIANT	

		TITLE CABLE GLAND PLATES			
		MATERIAL SEE ABOVE		DATE 22/03/2024	
PART NUMBER 19002PS11		DRAWING NUMBER 24/03/22.19002.E		COLOR GREY	
SIZE A4		SCALE 1:2		CHECK E.B.	
UNIT mm.		REV A		UNLESS OTHERWISE SPECIFIED TOLERANCE SEE ABOVE	
				APPROVED	