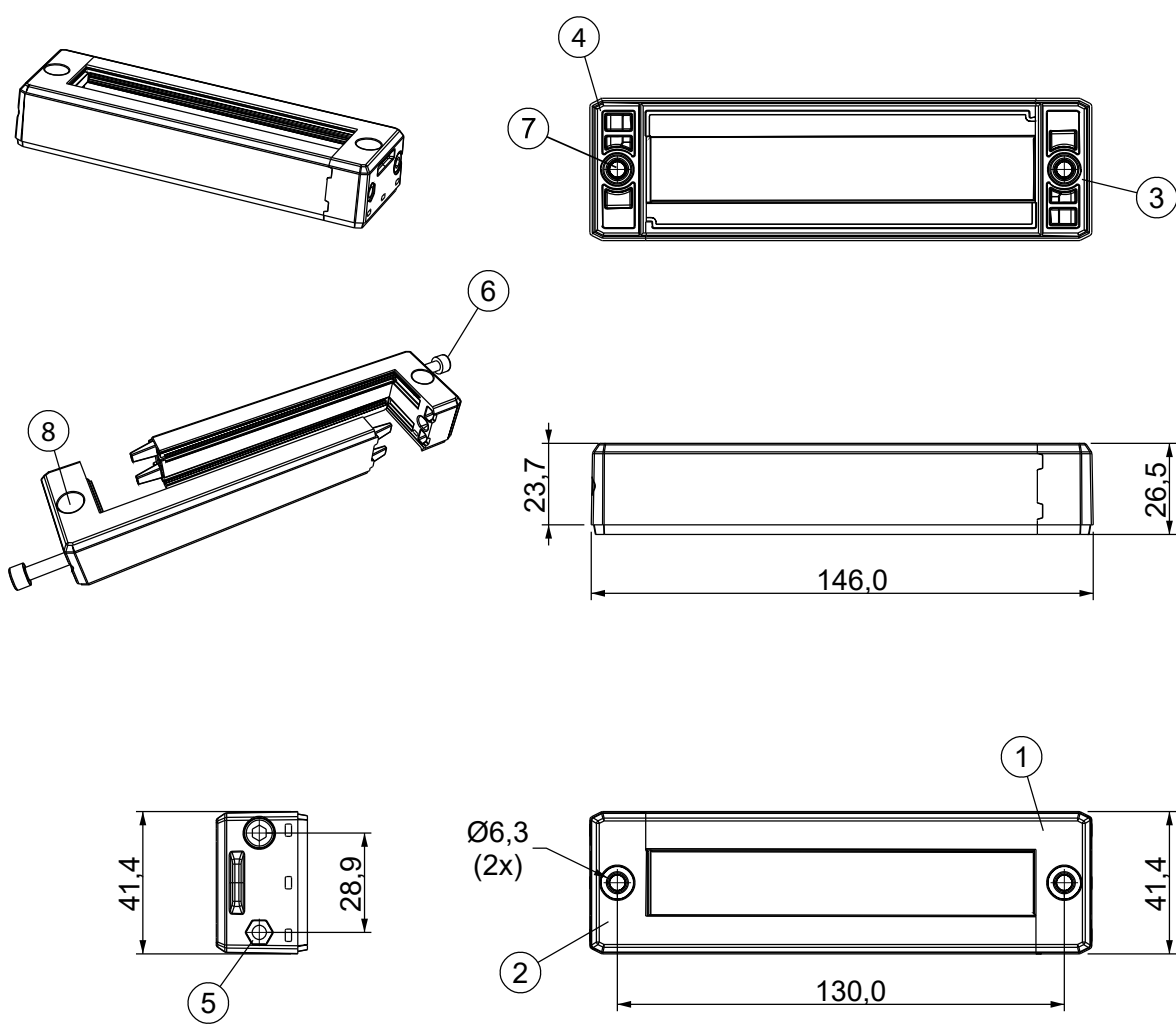


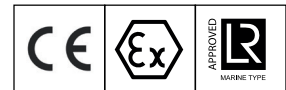
REVISIONS			
REV	DESCRIPTION	DATE	BY



Id	Description	Material	Q.ty
1	Top	PP + GF	1
2	Bottom	PP + GF	1
3	Gasket Top	TPE	1
4	Gasket Bottom	TPE	1
5	Nut	SS304	2
6	Screw Hex M5x0,8	SS304	2
7	M4 insert	Brass	2
8	Caps	PP	2

Flammability: UL94-V0, self-extinguishing
Temperature: -40°C ... +155°C
Properties: halogen-free, silicone-free

Recommended cut-out: 112 x 18 mm 	HL3 <small>EN 45545-2</small>	IP66	NEMA 4X	NEMA 12	
			 <small>ISO 4892-2A</small>	 <small>COMPLIANT</small>	



		TITLE SPLIT FRAMES FOR CABLES			
		MATERIAL SEE ABOVE		DATE 22/03/2024	
PART NUMBER 19001FG01		DRAWING NUMBER 24/03/22.19001.E		DRAWN E.B.	
SIZE A4		SCALE 1:2		CHECK	
UNIT mm.		REV A		APPROVED	
COLOR BLACK				TOLERANCE SEE ABOVE	